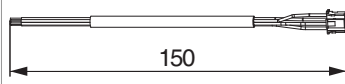




466836 - pigtail cable 150mm

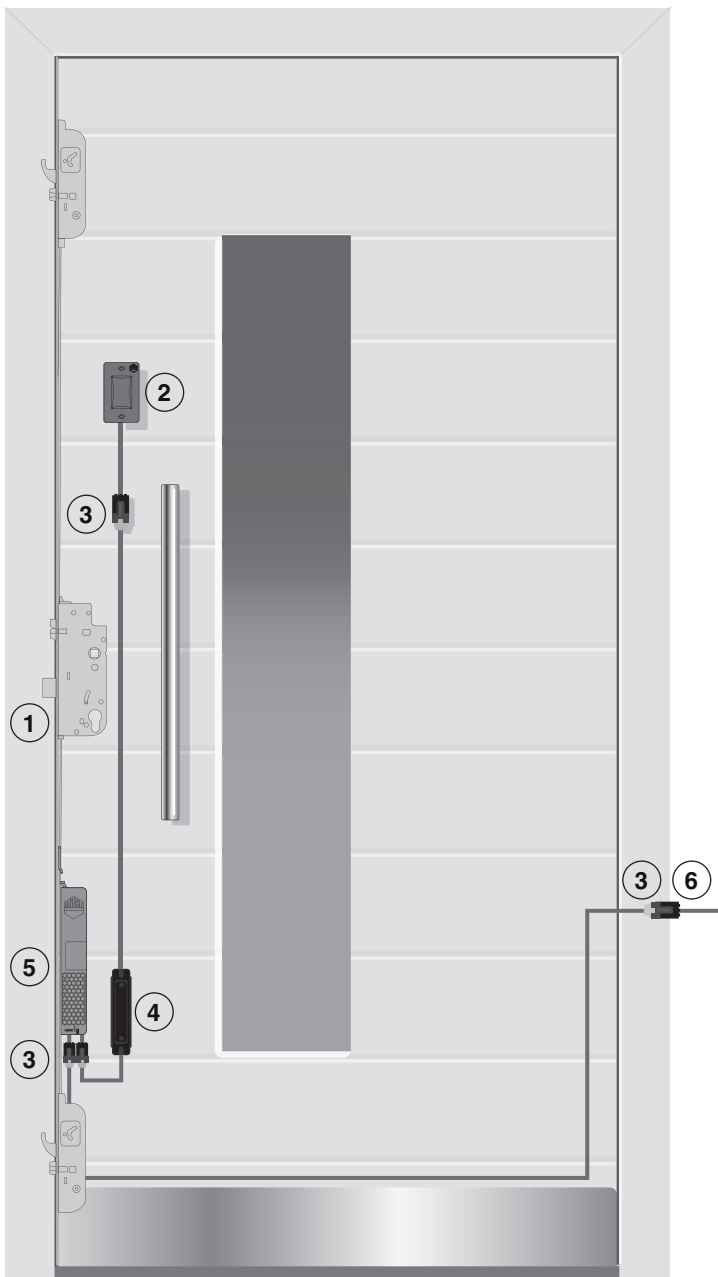
Technical drawing



		No
pigtail cable 150mm	1	466836

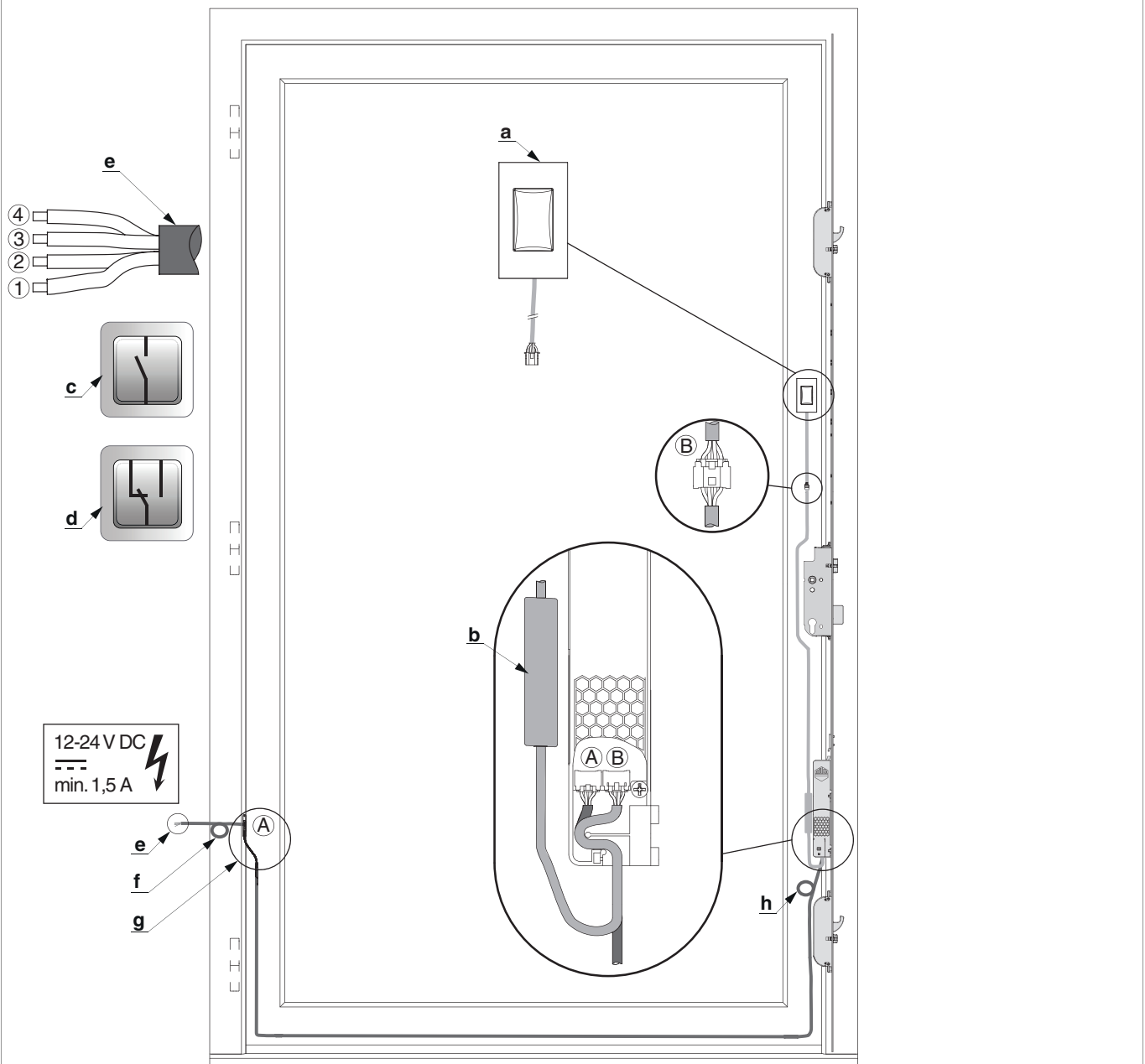
Overview

Access control systems openDoor



- 1) In combination with triple-latch door lock Z-TA Comfort: Very high security level due to automatic locking of steel hooks and deadbolt.
- 2) Standardized manufacturing due to equal installation dimensions for all openDoor solutions integrated into the door leaf.
- 3) Straight forward and unmistakable plug connection prevents wrong connecting.
- 4) Tamper-proof: No access to control unit for unauthorized persons.
- 5) Maximum living comfort with low-noise door lock motor.
- 6) Easy hinging and unhinging of door with pluggable cable transition.

Wiring

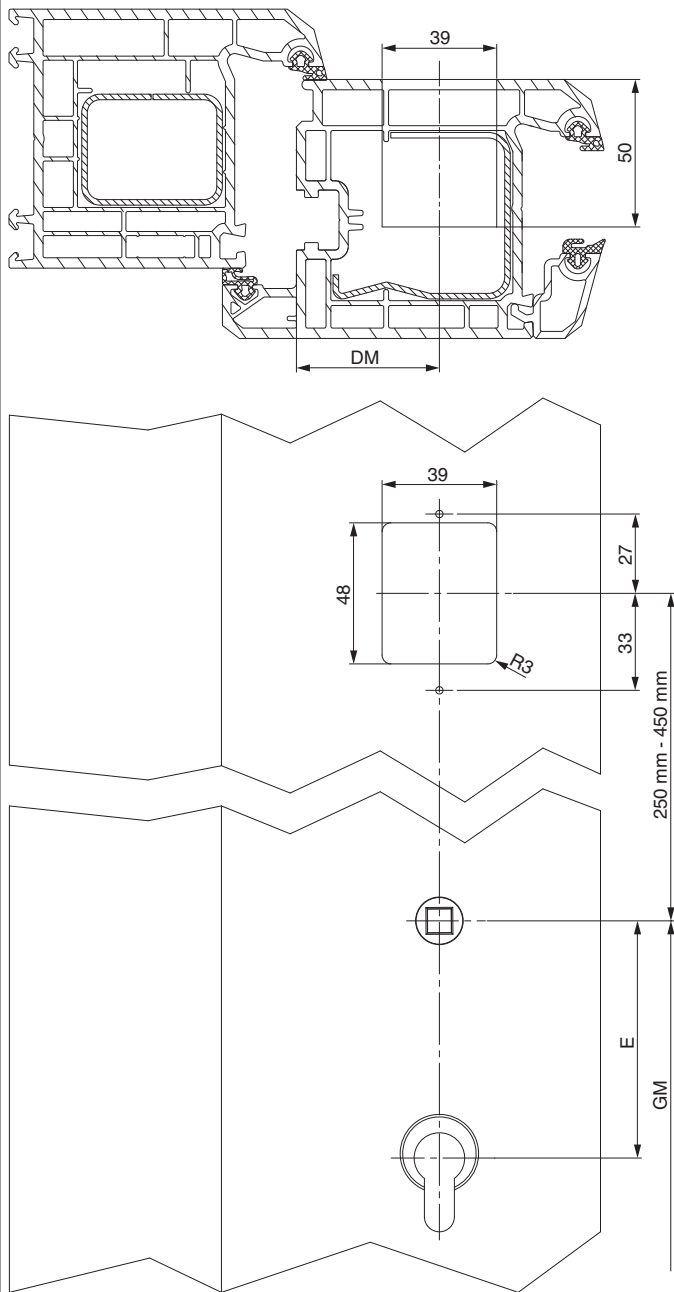


- A) Connection motor - cable transition
- B) Connection motor - access control
- 4) Brown -
- 5) White +
- 2) Green potential-free *
- 1) Yellow potential-free *



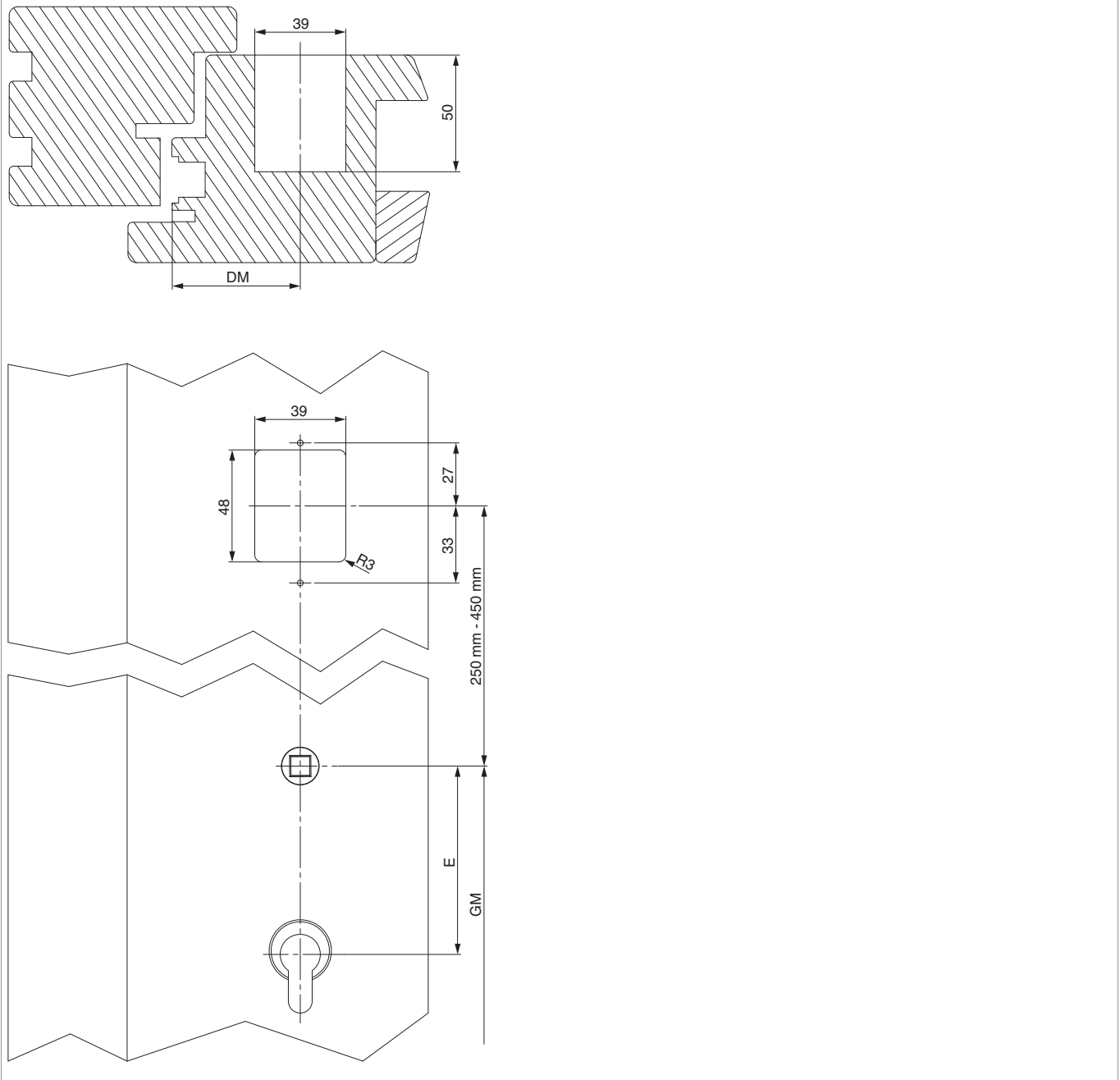
Drilling and routing pattern

Access control system for PVC

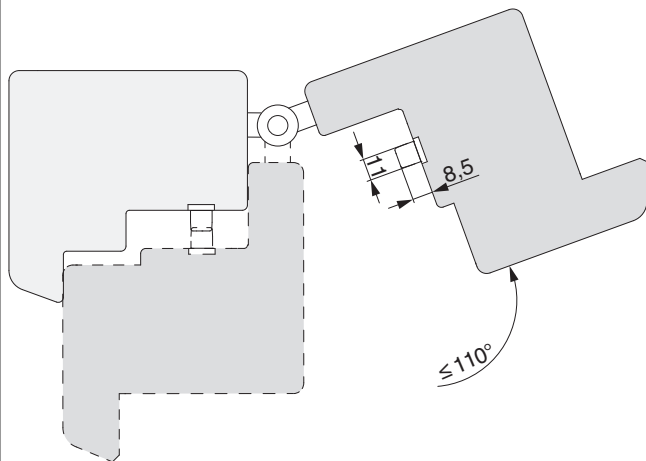
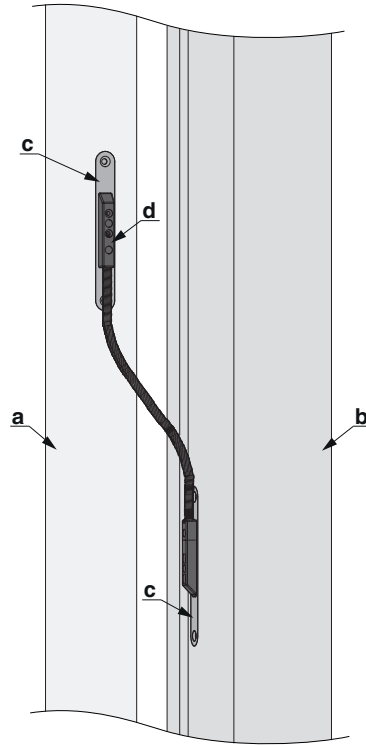
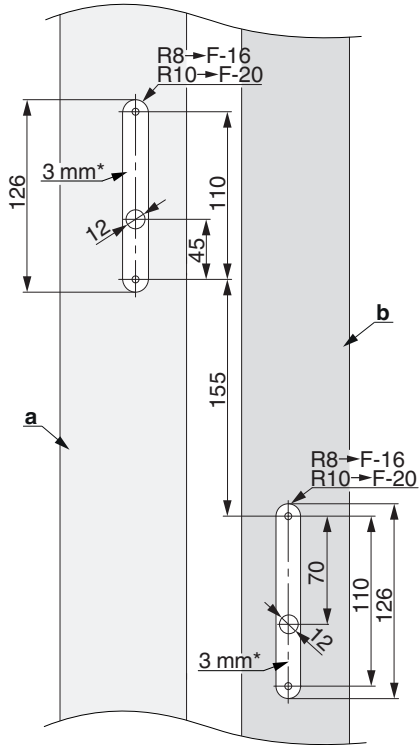




Access control system for timber

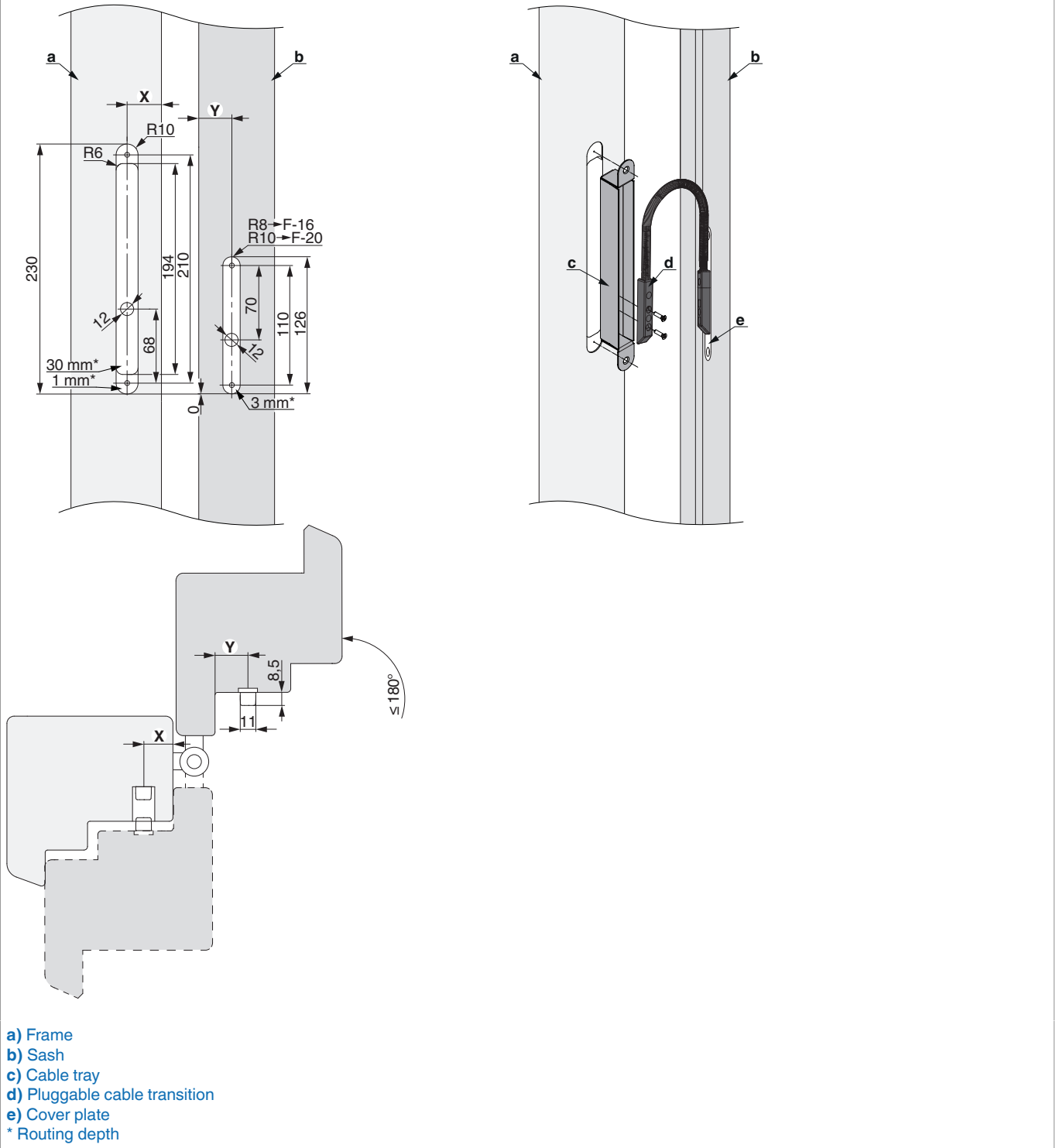


Cable transition for opening angle $\leq 110^\circ$ / timber 12 mm air gap, PVC 12 mm air gap, aluminium

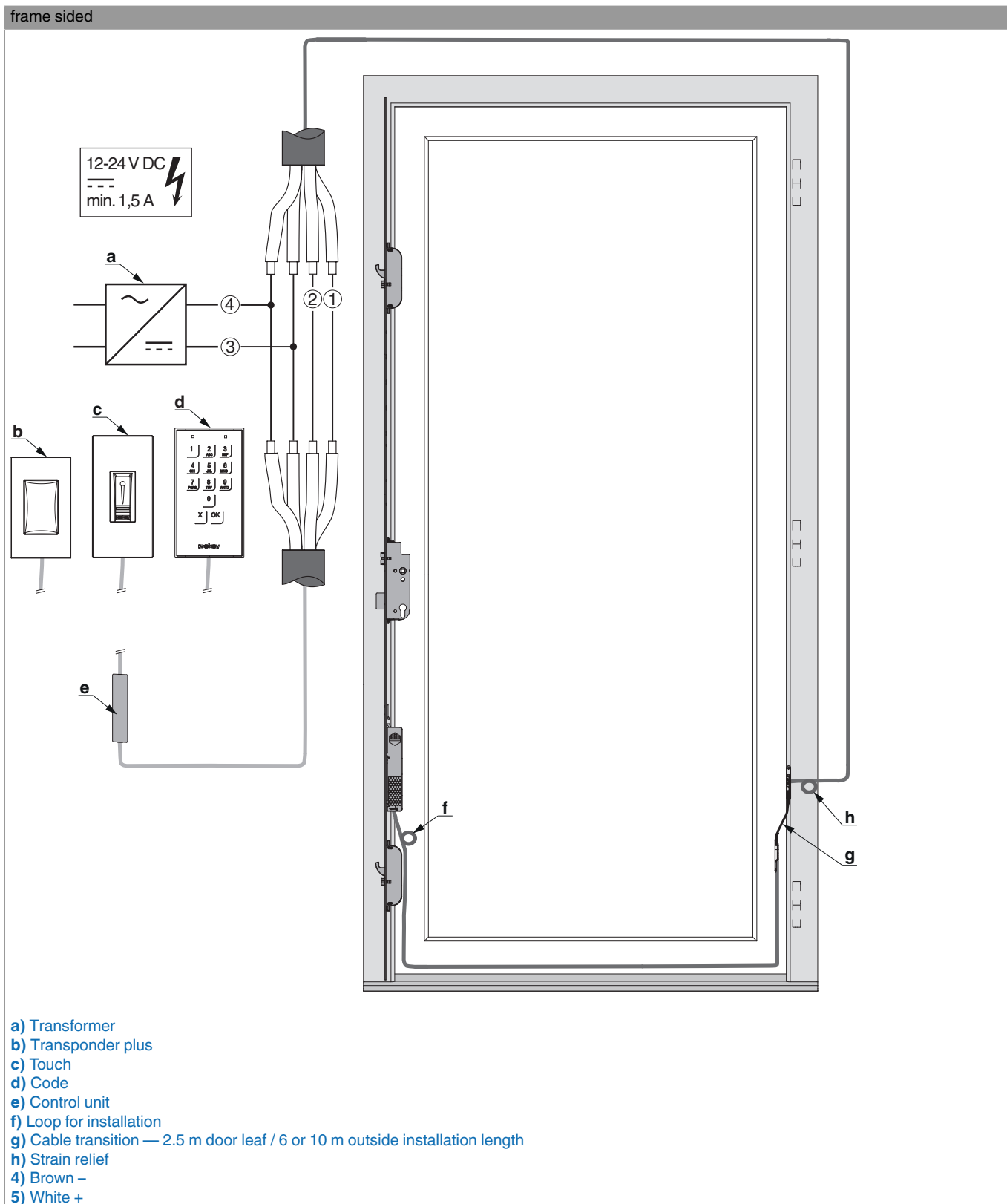


- a) Frame
- b) Sash
- c) Cover plate
- d) Pluggable cable transition
- * Routing depth

Cable transition for opening angle $\leq 180^\circ$ / timber 4 mm air gap, PVC 12 mm air gap, aluminium



Wiring diagram

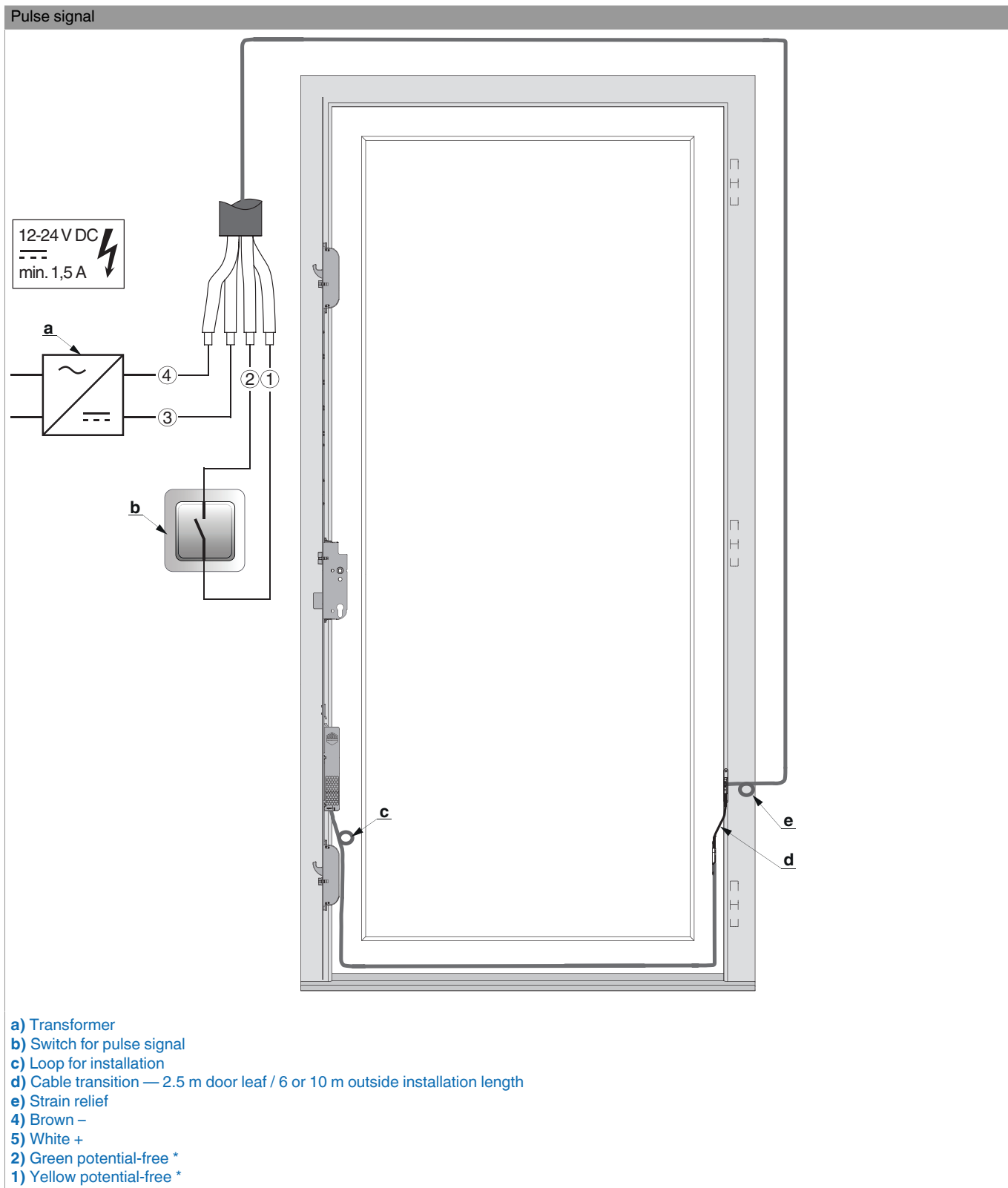




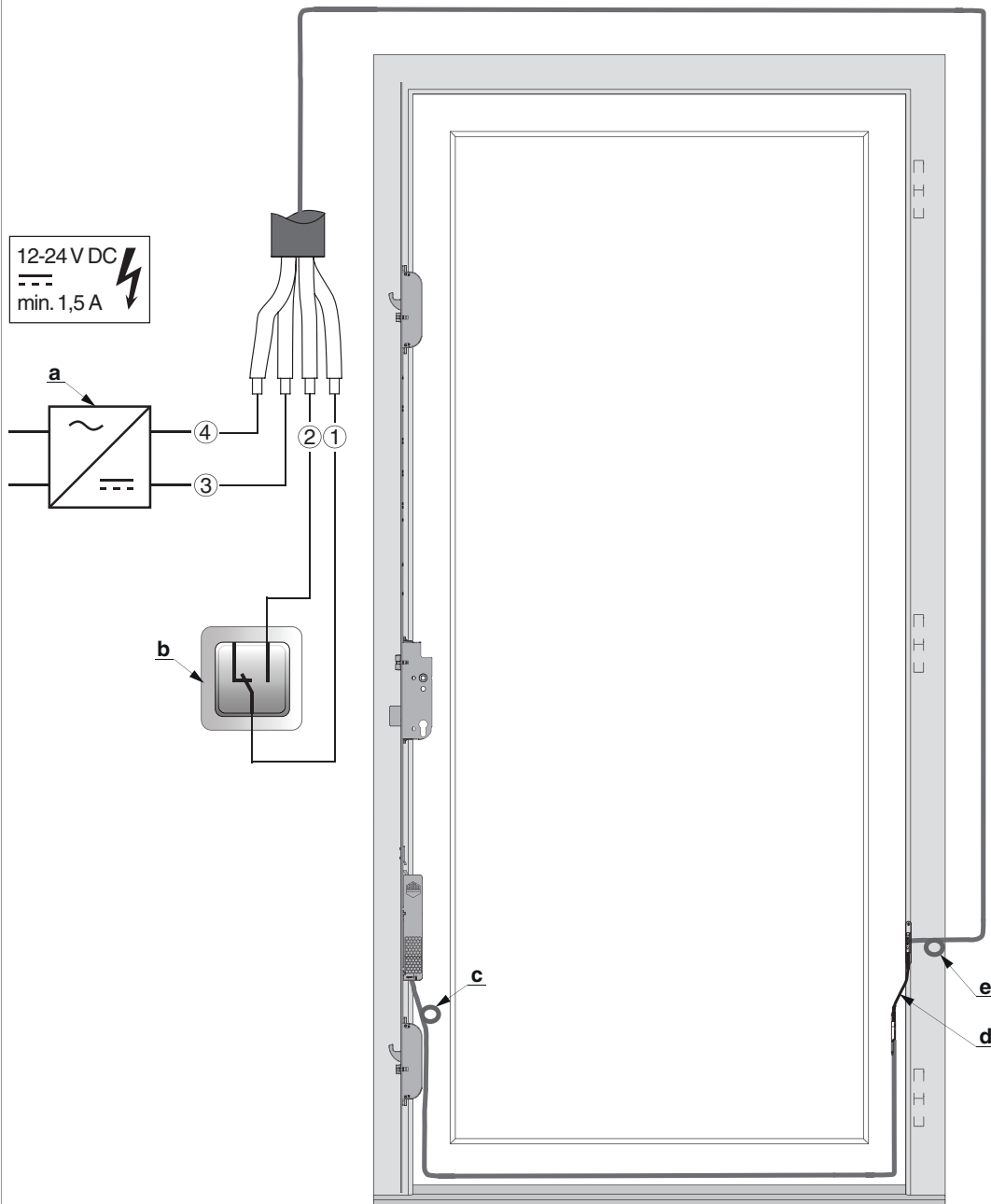
466836 - pigtail cable 150mm

frame sided

- 2) Green potential-free *
- 1) Yellow potential-free *



Toggle switch



- a) Transformer
- b) Toggle switch for day/night setting
- c) Loop for installation
- d) Cable transition — 2.5 m door leaf / 6 or 10 m outside installation length
- e) Strain relief
- 4) Brown -
- 5) White +
- 2) Green potential-free *
- 1) Yellow potential-free *



466836 - pigtail cable 150mm