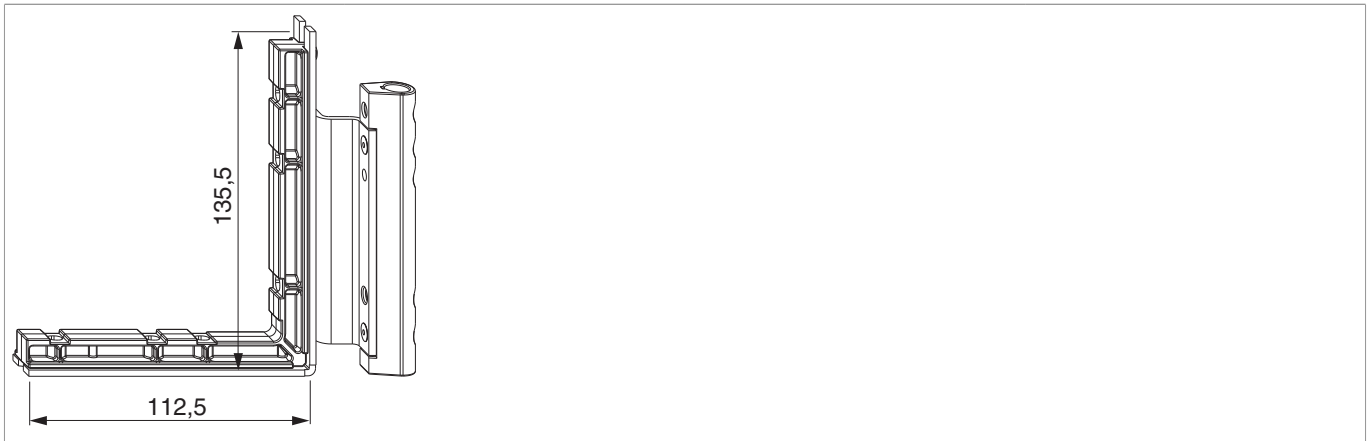


## 210616 - corner support MULTI MAMMUT pre-assembled spacer bar for corner hinge 12/20-13 left silver

### Technical drawing



						<b>No</b>
silver	with rebate-leg screw-fixing packer pre-assembled	Lh	12 / 20 / 13	220	20	<a href="#">210616</a>

### Screw position table

<b>No</b>			1	2	3		4	5	6
<a href="#">210616</a>	9	3	40	60	99	3	31,5	81,5	107,5

### Jigs

					<b>No</b>
Drilling jig for pivot post and scissor stay hinge		right	MULTI MAMMUT	1	<a href="#">213096</a>
Drilling jig for pivot post and scissor stay hinge		left	MULTI MAMMUT	1	<a href="#">213097</a>
routing jig for corner support & rebated scissor stay support arm	timber		MULTI MAMMUT	1	<a href="#">213099</a>

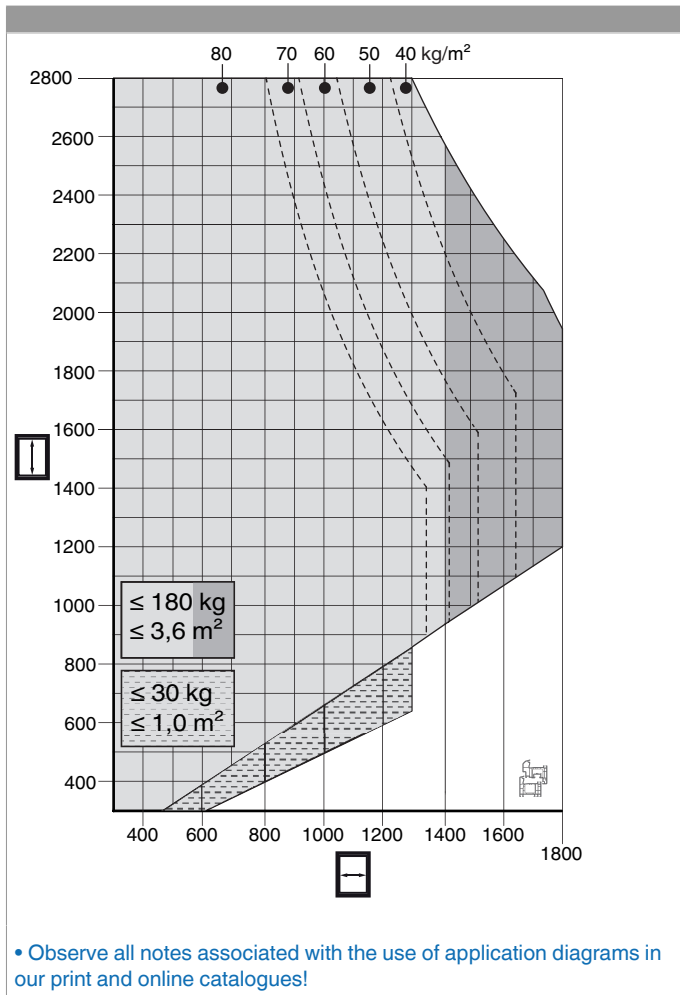
### Application notes

- For the installation of 180 kg hardware a Eurogroove is required on all 4 sides.



## 210616 - corner support MULTI MAMMUT pre-assembled spacer bar for corner hinge 12/20-13 left silver

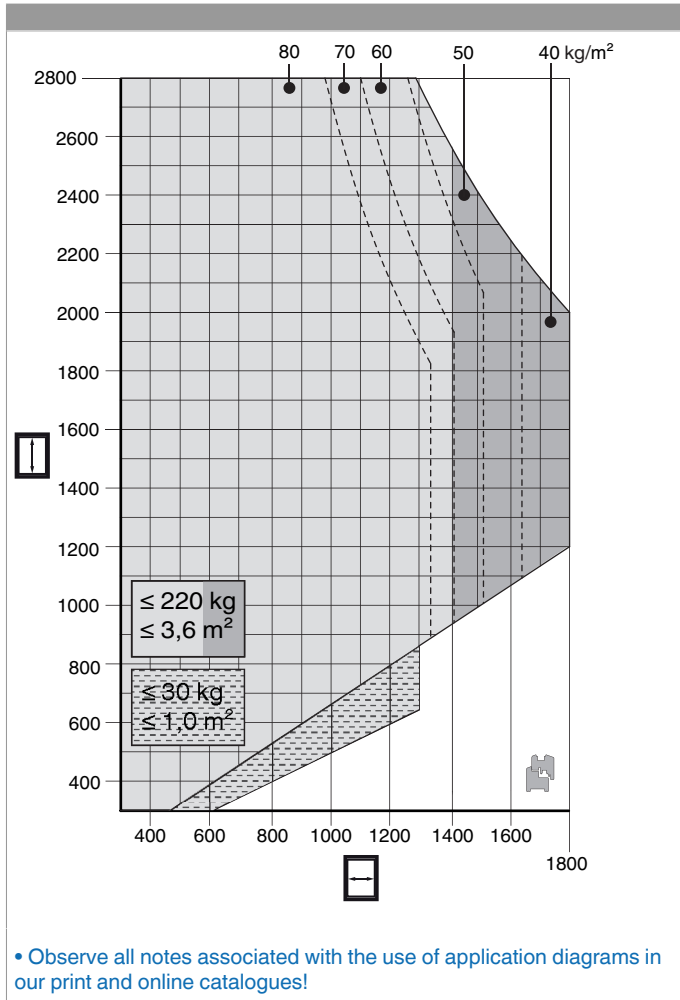
### Application diagram PVC





## 210616 - corner support MULTI MAMMUT pre-assembled spacer bar for corner hinge 12/20-13 left silver

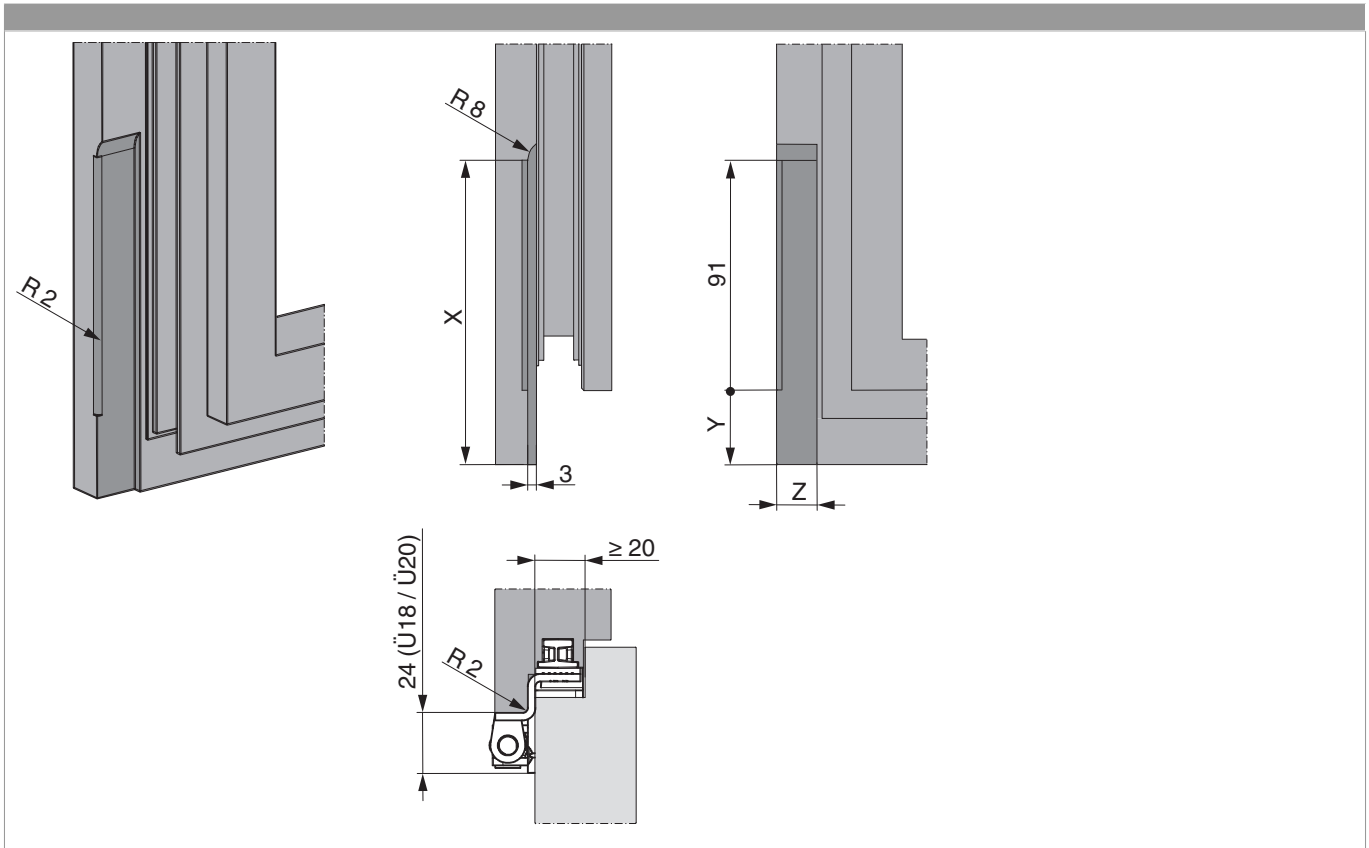
### Application diagram Timber





**210616 - corner support MULTI MAMMUT pre-assembled spacer bar for corner hinge 12/20-13 left silver**

**Routing on sash**

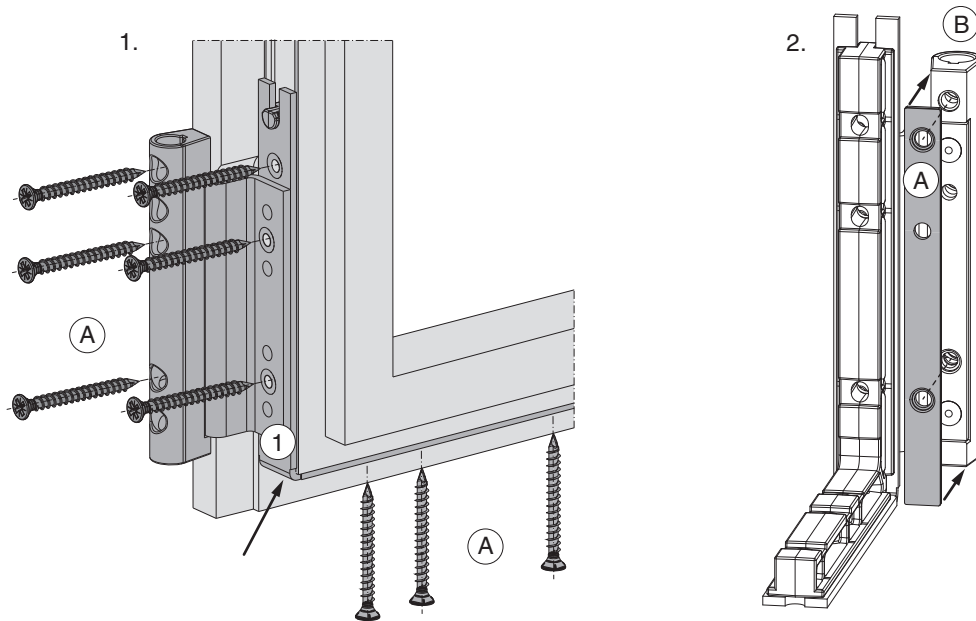


	<b>X</b>	<b>Y</b>	<b>Z</b>
18 rebate leg	120	29	15,5
20 rebate leg	122	31	17,5



## 210616 - corner support MULTI MAMMUT pre-assembled spacer bar for corner hinge 12/20-13 left silver

### Installation



1. Place the rebated corner support in the Eurogroove and screw tightly into place with nine screws (A) at least  $\text{Ø } 4 \times 25 \text{ mm}$ .

2. Optional: The packer (A) (Item No. 363306 = 2mm, Item No: 363307 = 3mm) is used with the rebated corner support (B) to adjust it to different rebate leg dimensions.

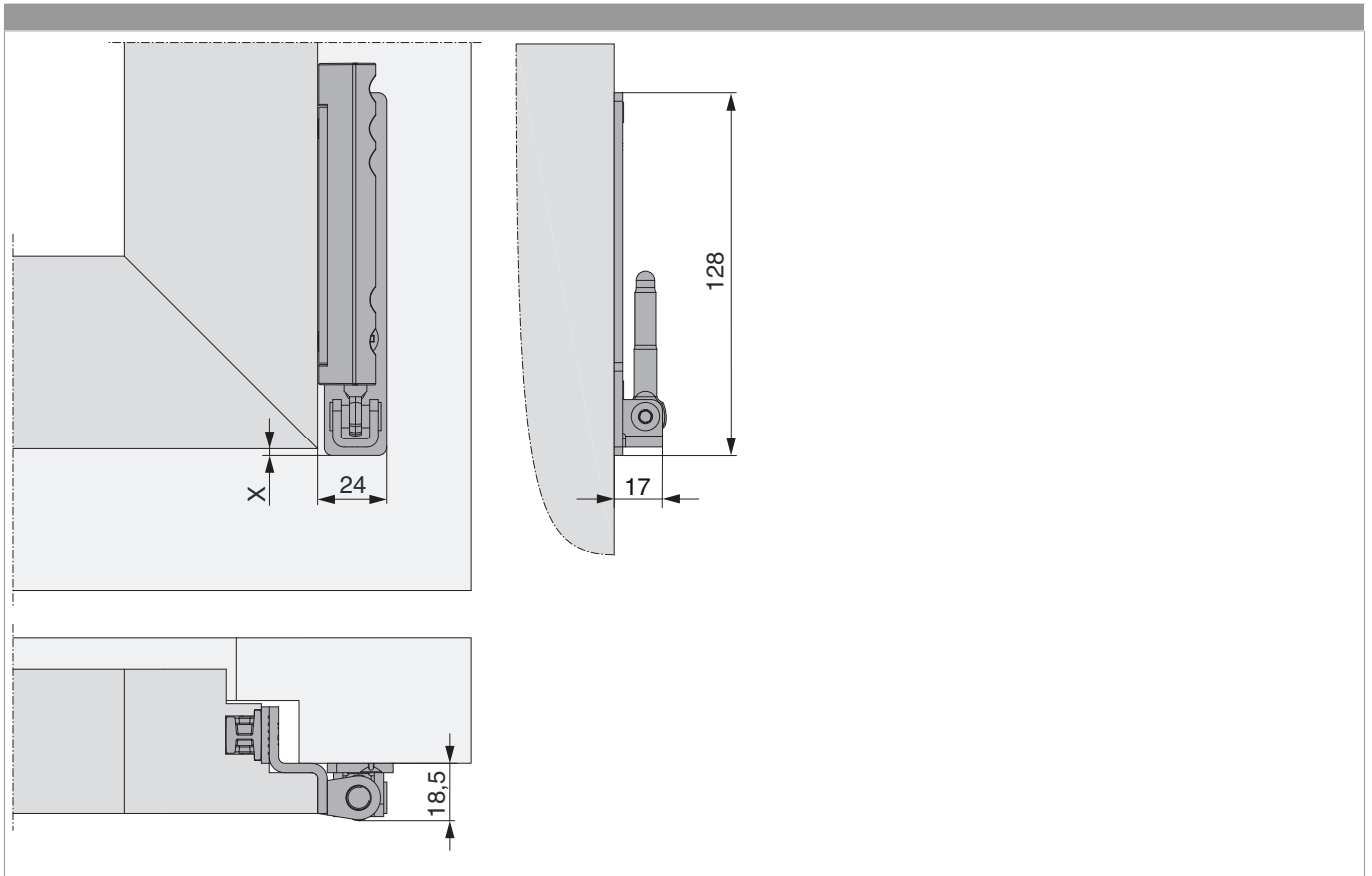
• **CAUTION:** Maximum permissible sash weight must not be exceeded!

• Fasten according to: **TBDK guideline** Gütegemeinschaft Schlösser und Beschläge (Locks and Fittings Quality Association - [www.schlossindustrie.de](http://www.schlossindustrie.de)).



210616 - corner support MULTI MAMMUT pre-assembled spacer bar for corner hinge 12/20-13 left silver

Clearance dimension



	X
18 rebate leg	3
20 rebate leg	1



## 210616 - corner support MULTI MAMMUT pre-assembled spacer bar for corner hinge 12/20-13 left silver

### Adjustment

