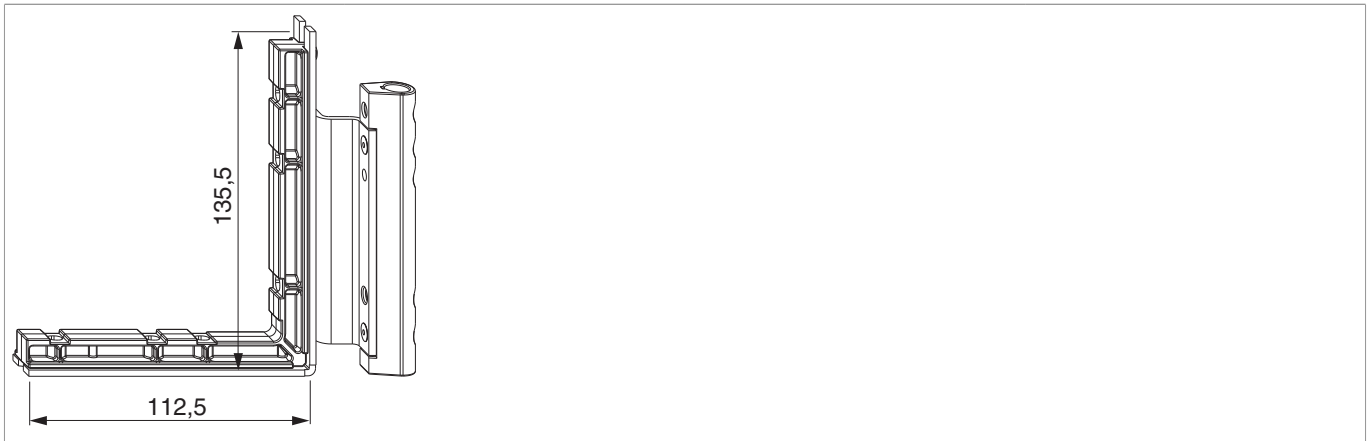


210615 - corner support MULTI MAMMUT pre-assembled spacer bar for corner hinge 12/20-13 right silver

Technical drawing



						No
silver	with rebate-leg screw-fixing packer pre-assembled	Rh	12 / 20 / 13	220	20	210615

Screw position table

No			1	2	3		4	5	6
210615	9	3	40	60	99	3	31,5	81,5	107,5

Jigs

					No
Drilling jig for pivot post and scissor stay hinge		right	MULTI MAMMUT	1	213096
Drilling jig for pivot post and scissor stay hinge		left	MULTI MAMMUT	1	213097
routing jig for corner support & rebated scissor stay support arm	timber		MULTI MAMMUT	1	213099

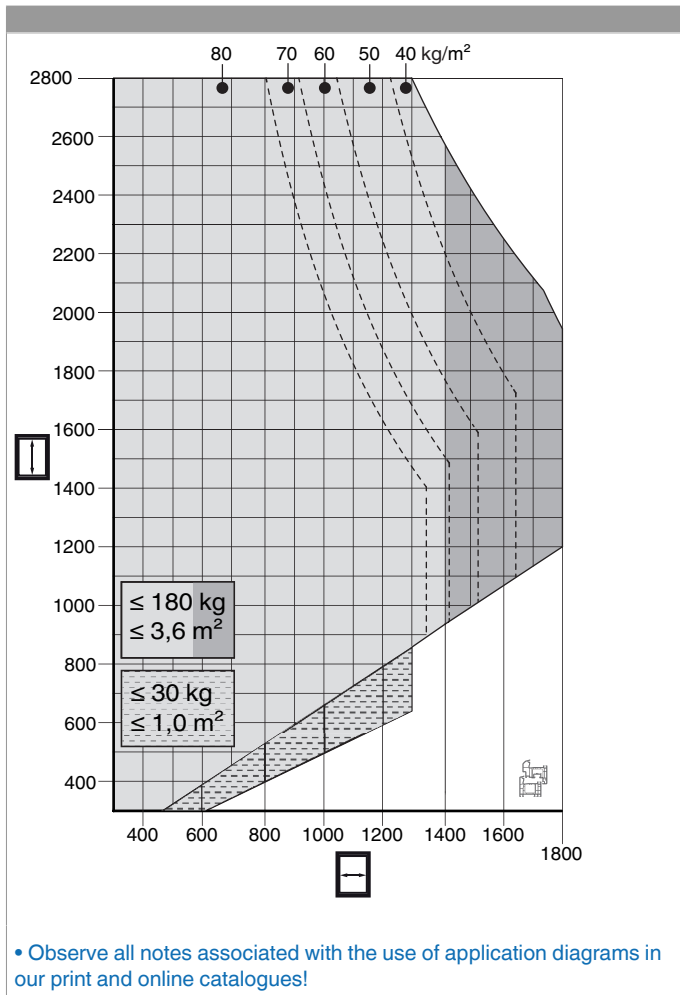
Application notes

- For the installation of 180 kg hardware a Eurogroove is required on all 4 sides.



210615 - corner support MULTI MAMMUT pre-assembled spacer bar for corner hinge 12/20-13 right silver

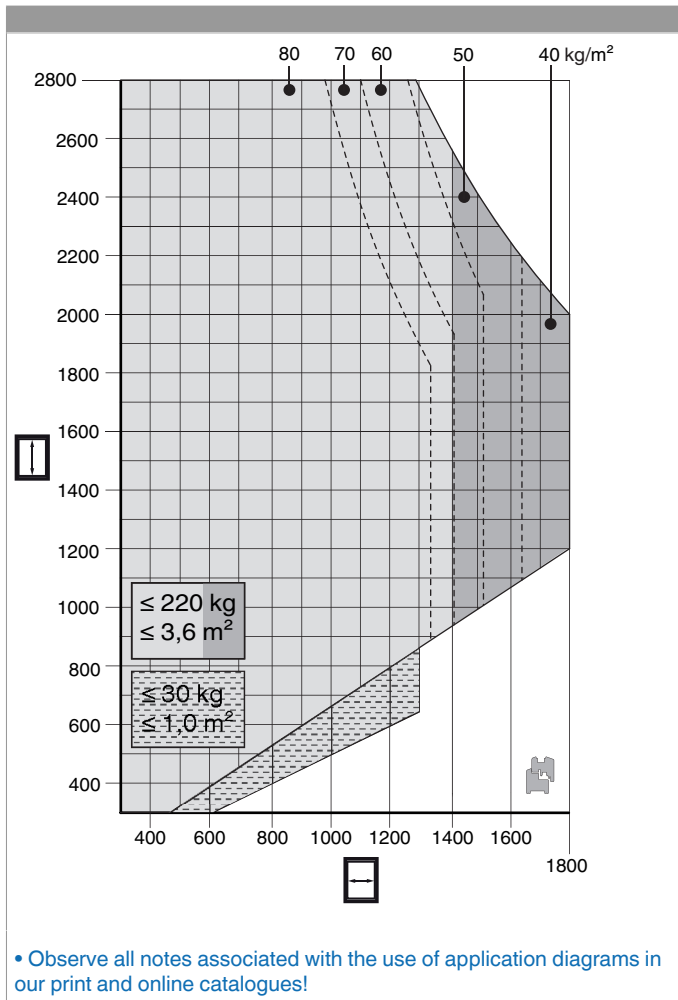
Application diagram PVC





210615 - corner support MULTI MAMMUT pre-assembled spacer bar for corner hinge 12/20-13 right silver

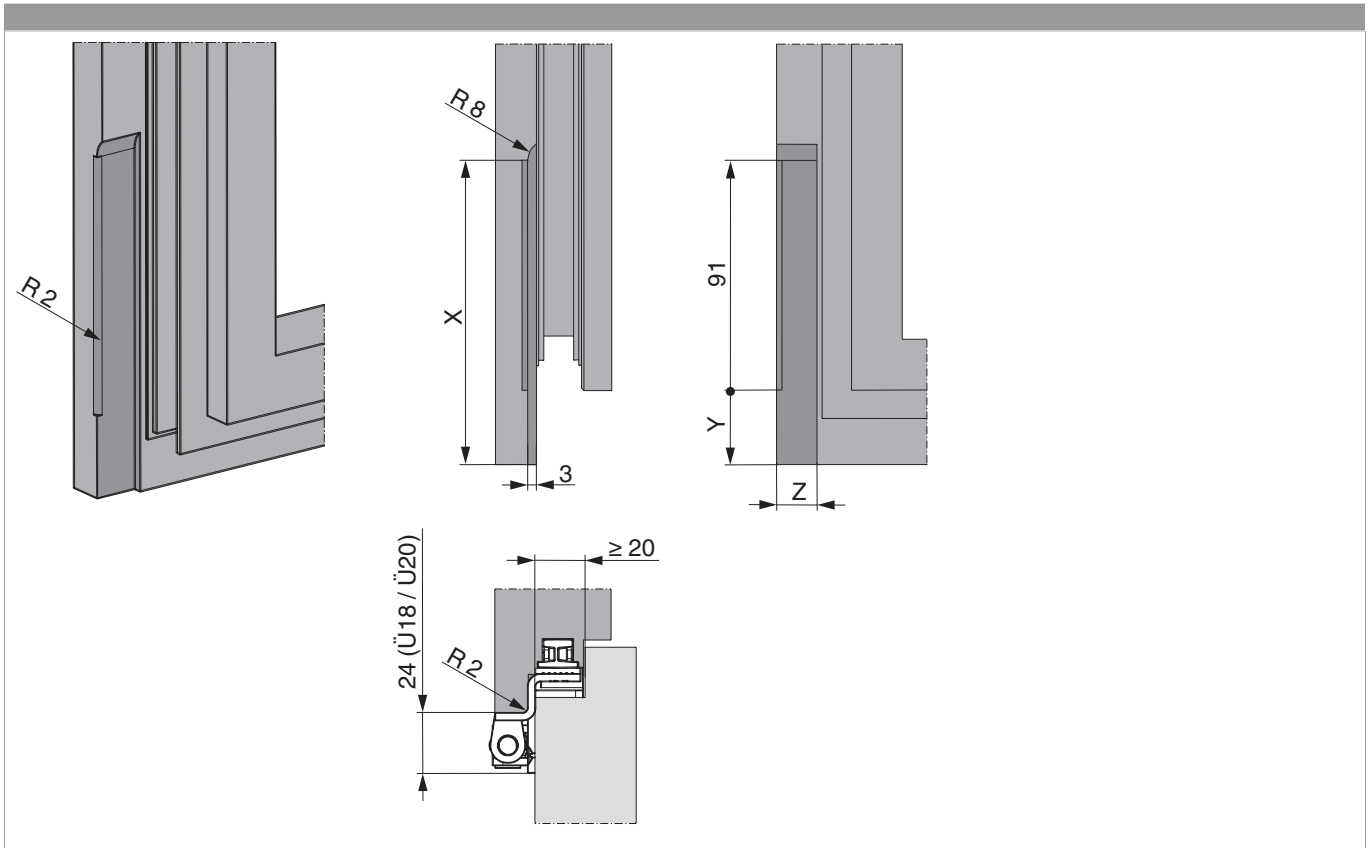
Application diagram Timber





210615 - corner support MULTI MAMMUT pre-assembled spacer bar for corner hinge 12/20-13 right silver

Routing on sash

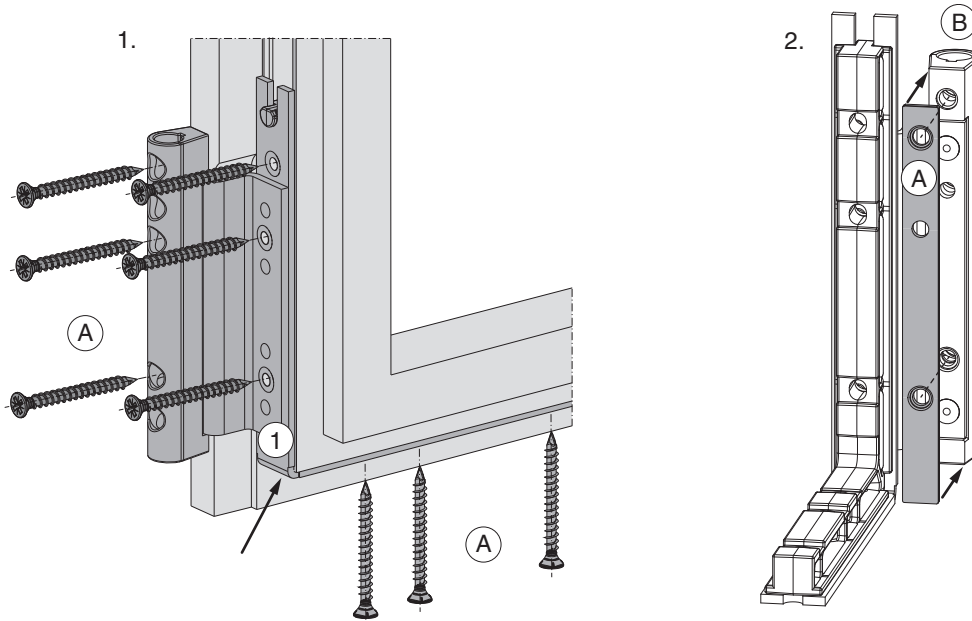


	X	Y	Z
18 rebate leg	120	29	15,5
20 rebate leg	122	31	17,5



210615 - corner support MULTI MAMMUT pre-assembled spacer bar for corner hinge 12/20-13 right silver

Installation



1. Place the rebated corner support in the Eurogroove and screw tightly into place with nine screws (A) at least $\text{Ø } 4 \times 25$ mm.

2. Optional: The packer (A) (Item No. 363306 = 2mm, Item No: 363307 = 3mm) is used with the rebated corner support (B) to adjust it to different rebate leg dimensions.

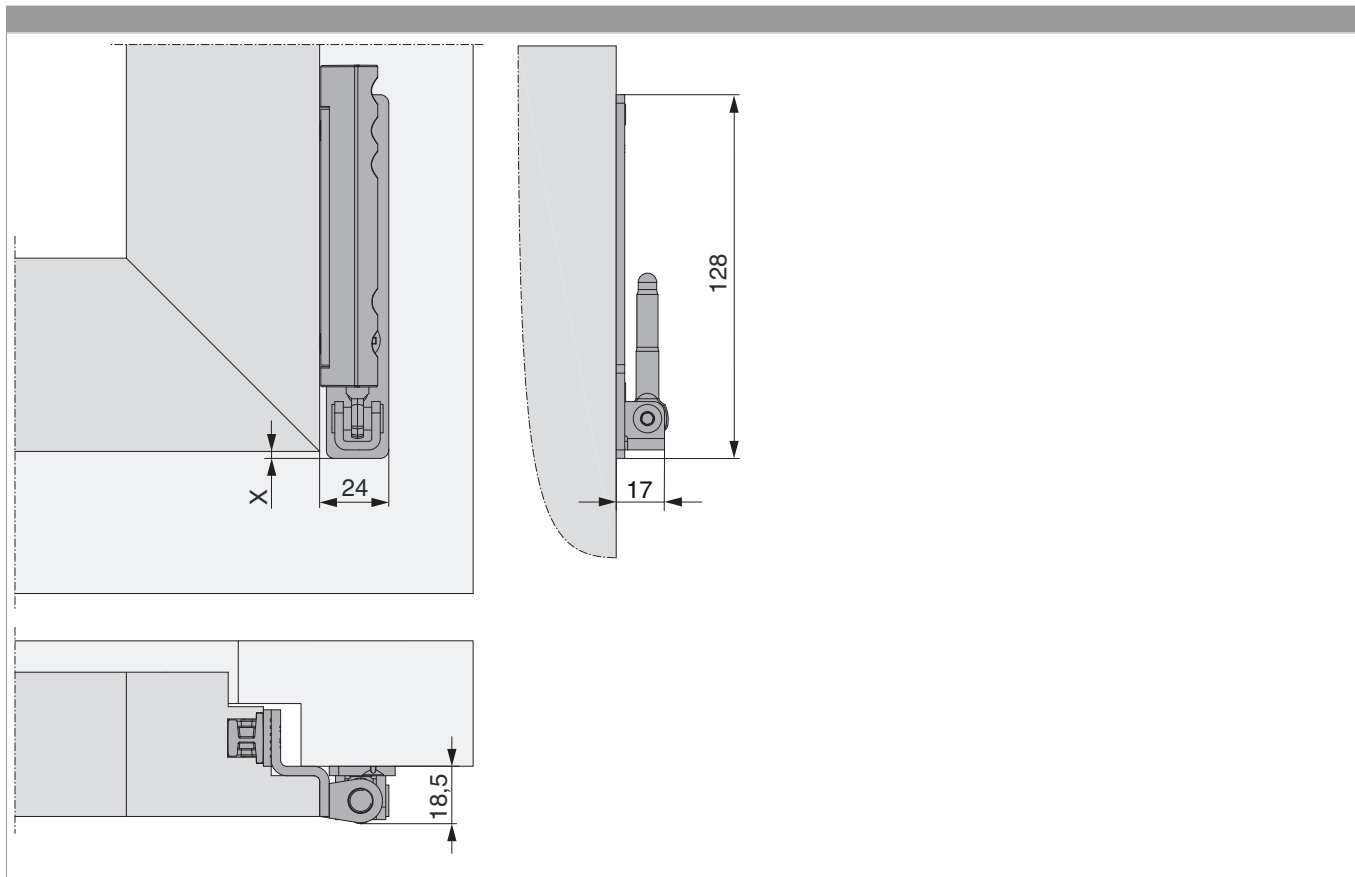
• **CAUTION:** Maximum permissible sash weight must not be exceeded!

• Fasten according to: **TBDK guideline** Gütegemeinschaft Schlösser und Beschläge (Locks and Fittings Quality Association - www.schlossindustrie.de).



210615 - corner support MULTI MAMMUT pre-assembled spacer bar for corner hinge 12/20-13 right silver

Clearance dimension



	X
18 rebate leg	3
20 rebate leg	1



210615 - corner support MULTI MAMMUT pre-assembled spacer bar for corner hinge 12/20-13 right silver

Adjustment

