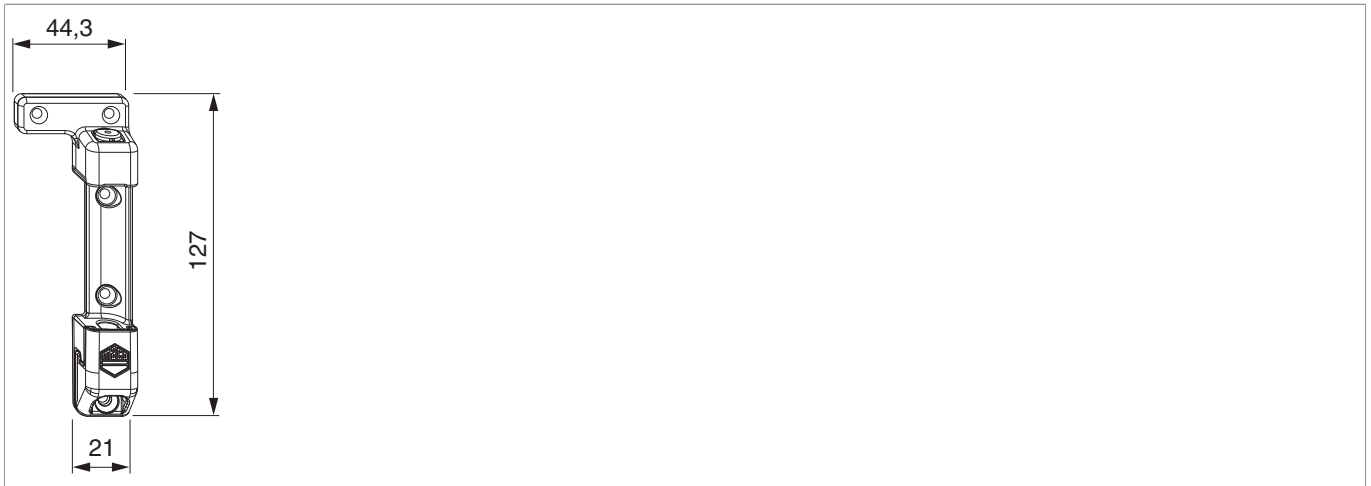




210600 - Scissor Stay Multi Mammut with 9 mm supporting pins right silver

Technical drawing



						No
silver	with 9 mm supporting pins	right	5	220	20	210600

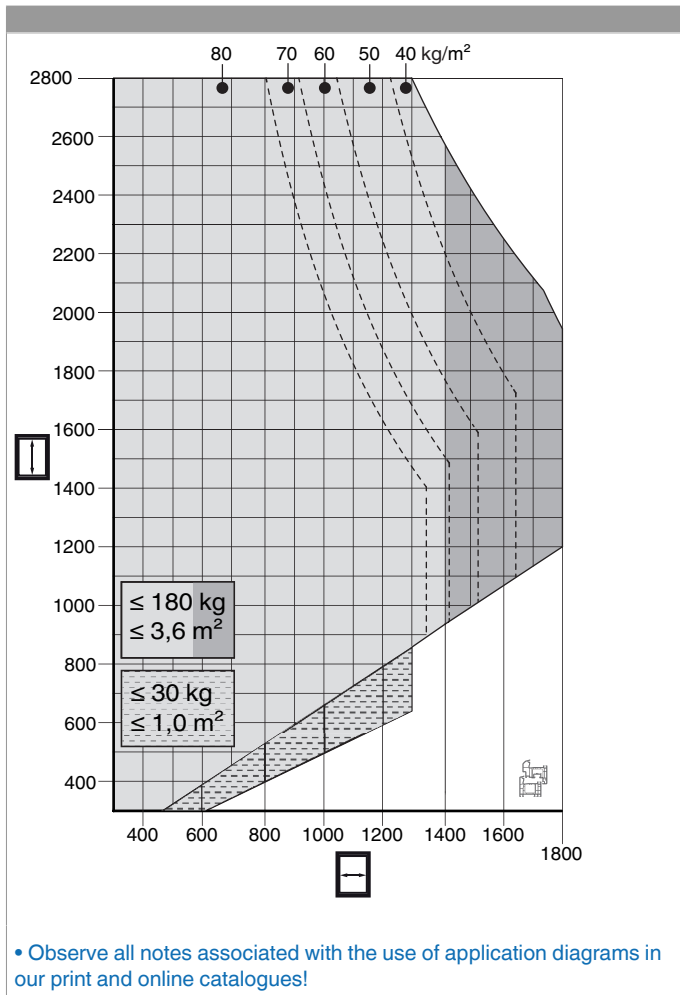
Jigs

				No
Drilling jig for pivot post and scissor stay hinge	right	MULTI MAMMUT	1	213096



210600 - Scissor Stay Multi Mammut with 9 mm supporting pins right silver

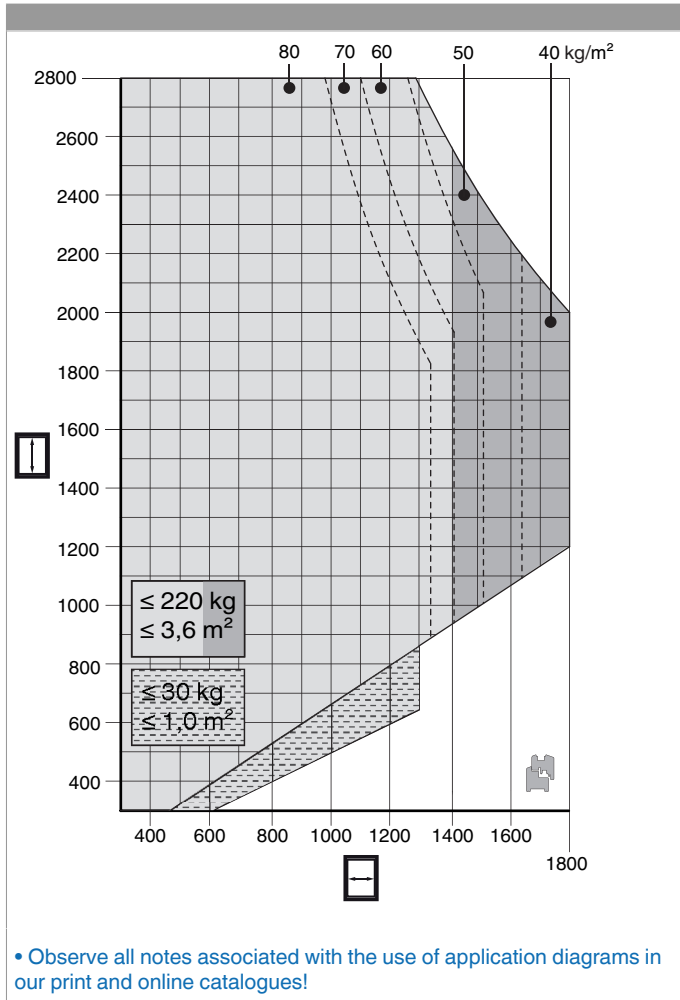
Application diagram PVC





210600 - Scissor Stay Multi Mammut with 9 mm supporting pins right silver

Application diagram Timber

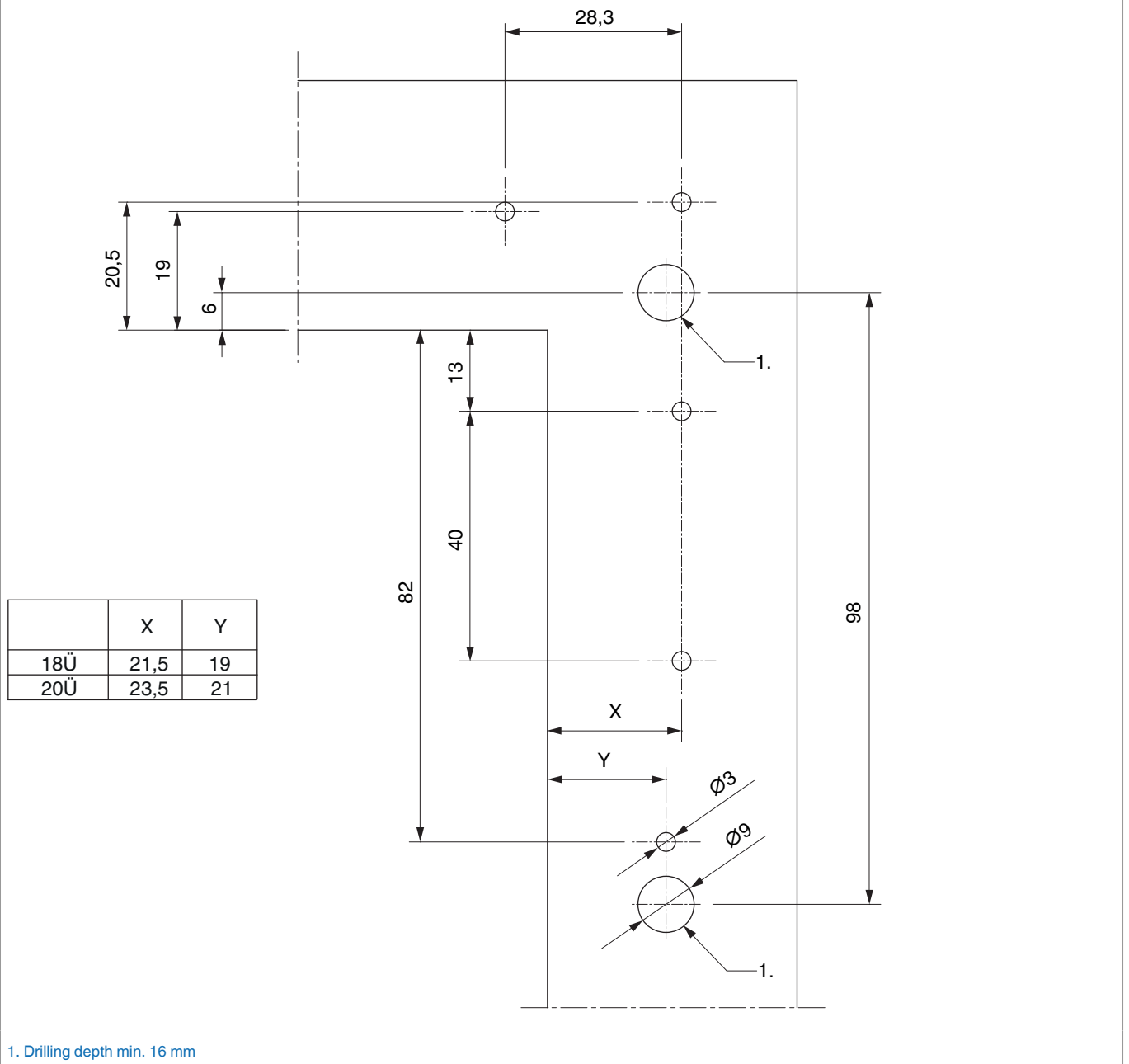




210600 - Scissor Stay Multi Mammut with 9 mm supporting pins right silver

Drilling hole pattern

12 air gap

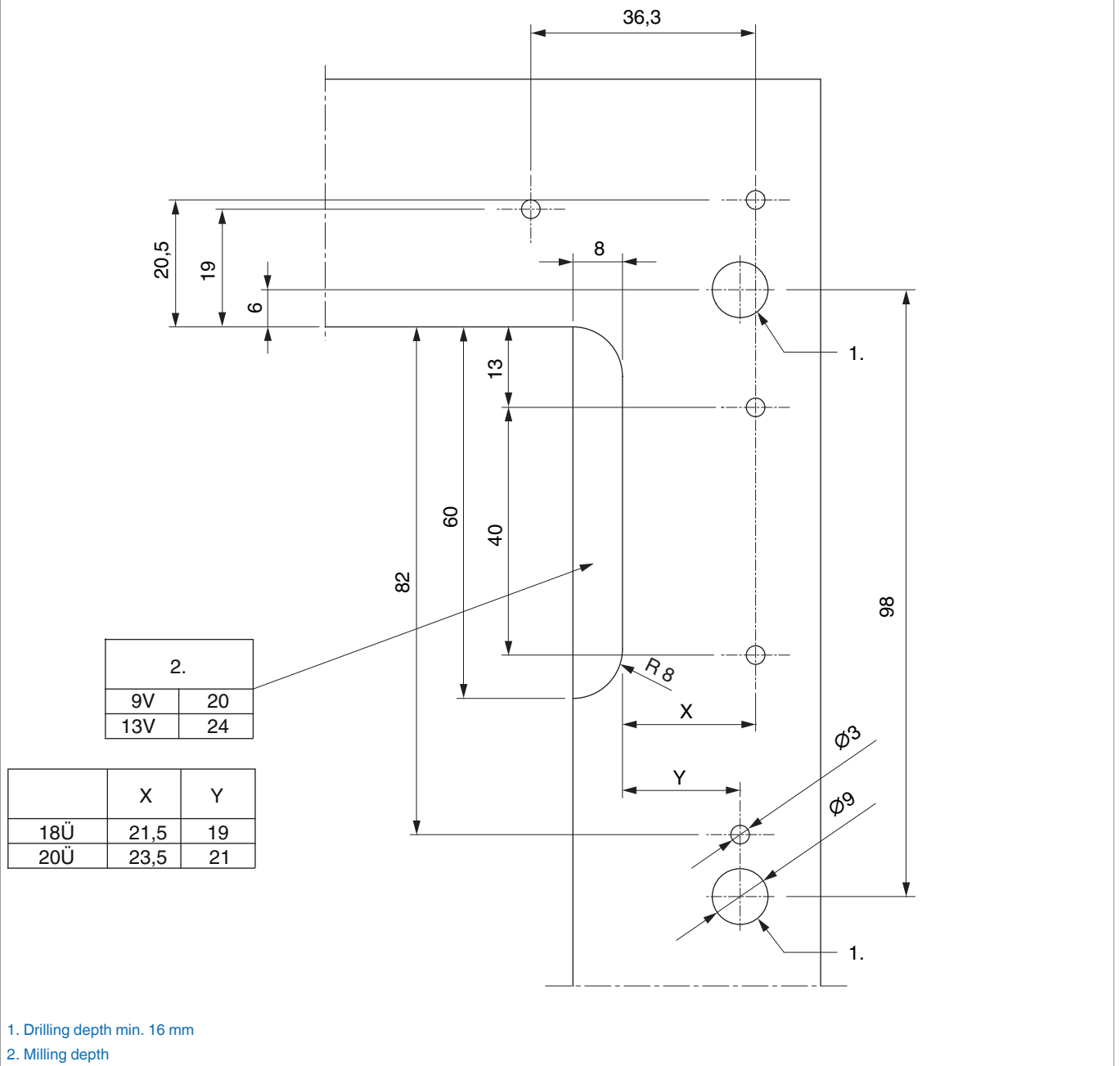




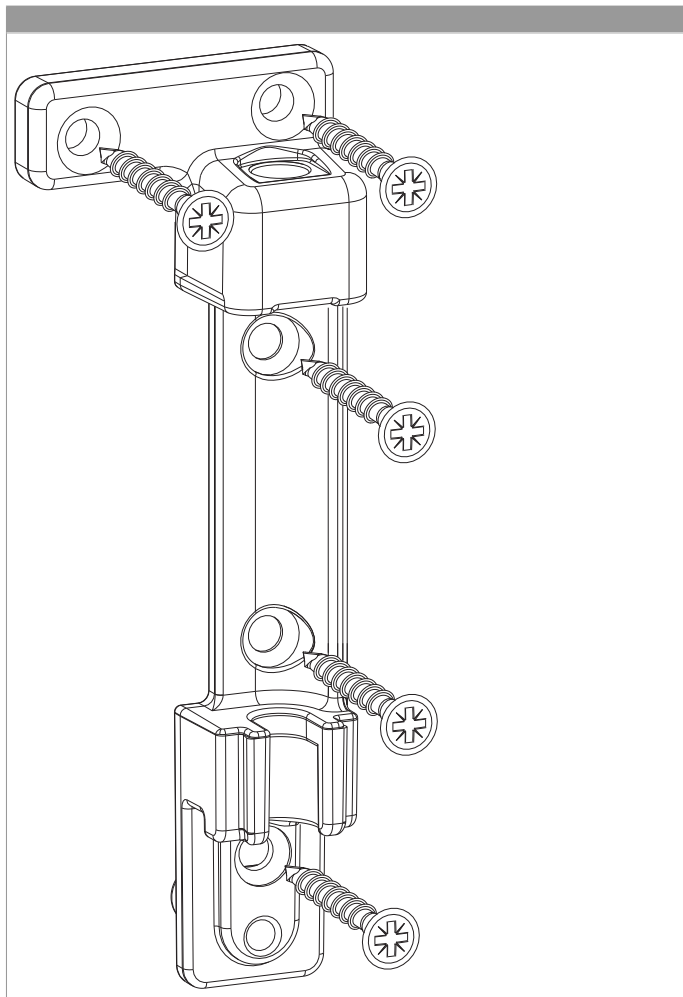
210600 - Scissor Stay Multi Mammut with 9 mm supporting pins right silver

Drilling and routing pattern

4 mm air gap



Installation



- **CAUTION:** Screw the scissor stay hinge only after mounting the striker plates, otherwise the jigs for the frame can no longer be attached!
- Pre-drill the drill-holes for the scissor stay hinge first, and then fasten it (Timber)!
- Insert the scissor stay hinge with the pins in the holes and screw tightly with five screws. Vertical screw fixings must go through the reinforcement on PVC profiles (except screw in corner)!



DANGER!

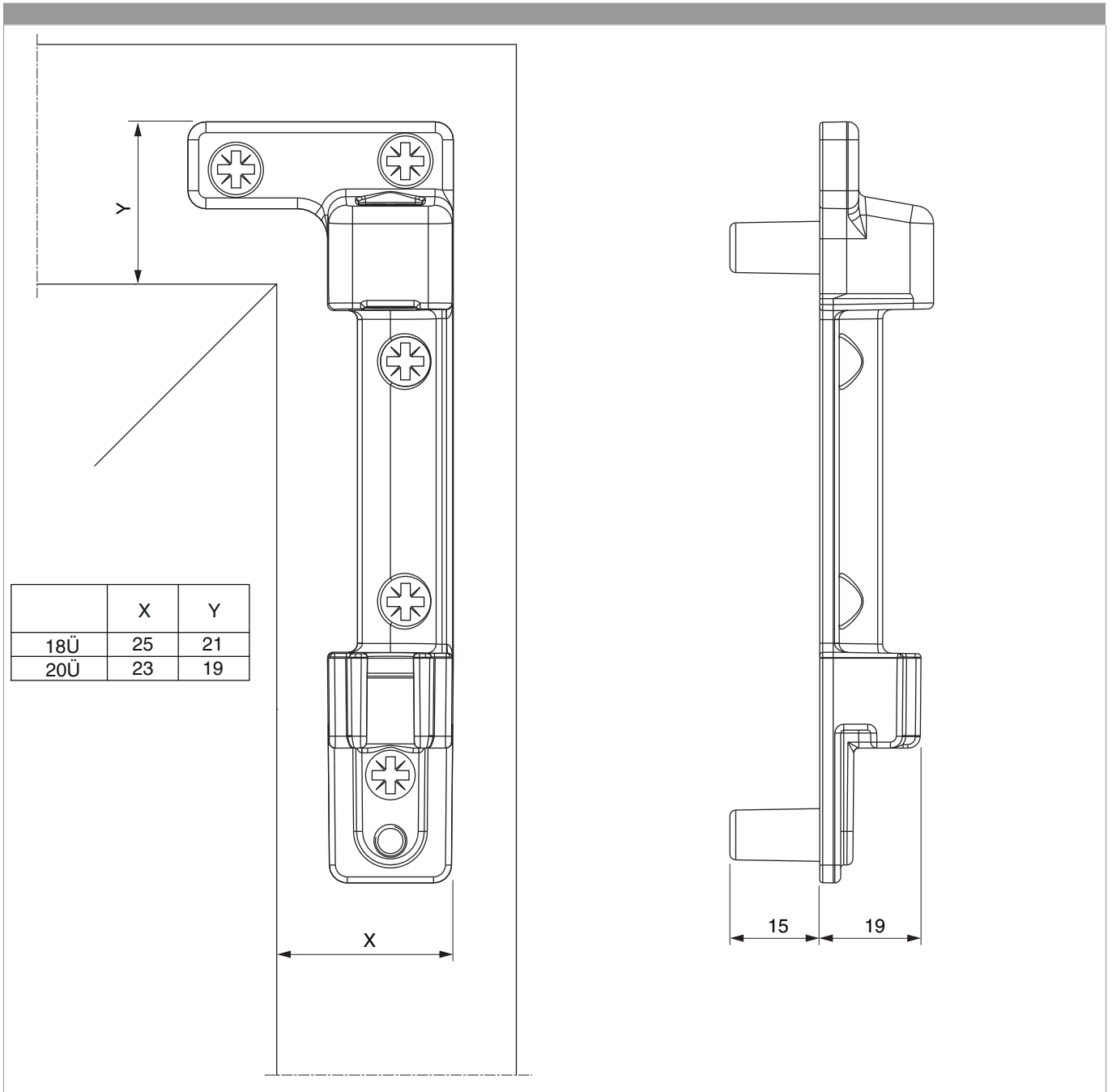
Danger of death through non-compliance with processing guidelines!

- The screw fixing of hinge parts must comply with the TBDK guidelines (Locks and Fittings Quality Association - www.schlossindustrie.de) respectively the EN 13126-8 Standard!
- The maximum sash weight must not be exceeded! Observe the application diagram!



210600 - Scissor Stay Multi Mammut with 9 mm supporting pins right silver

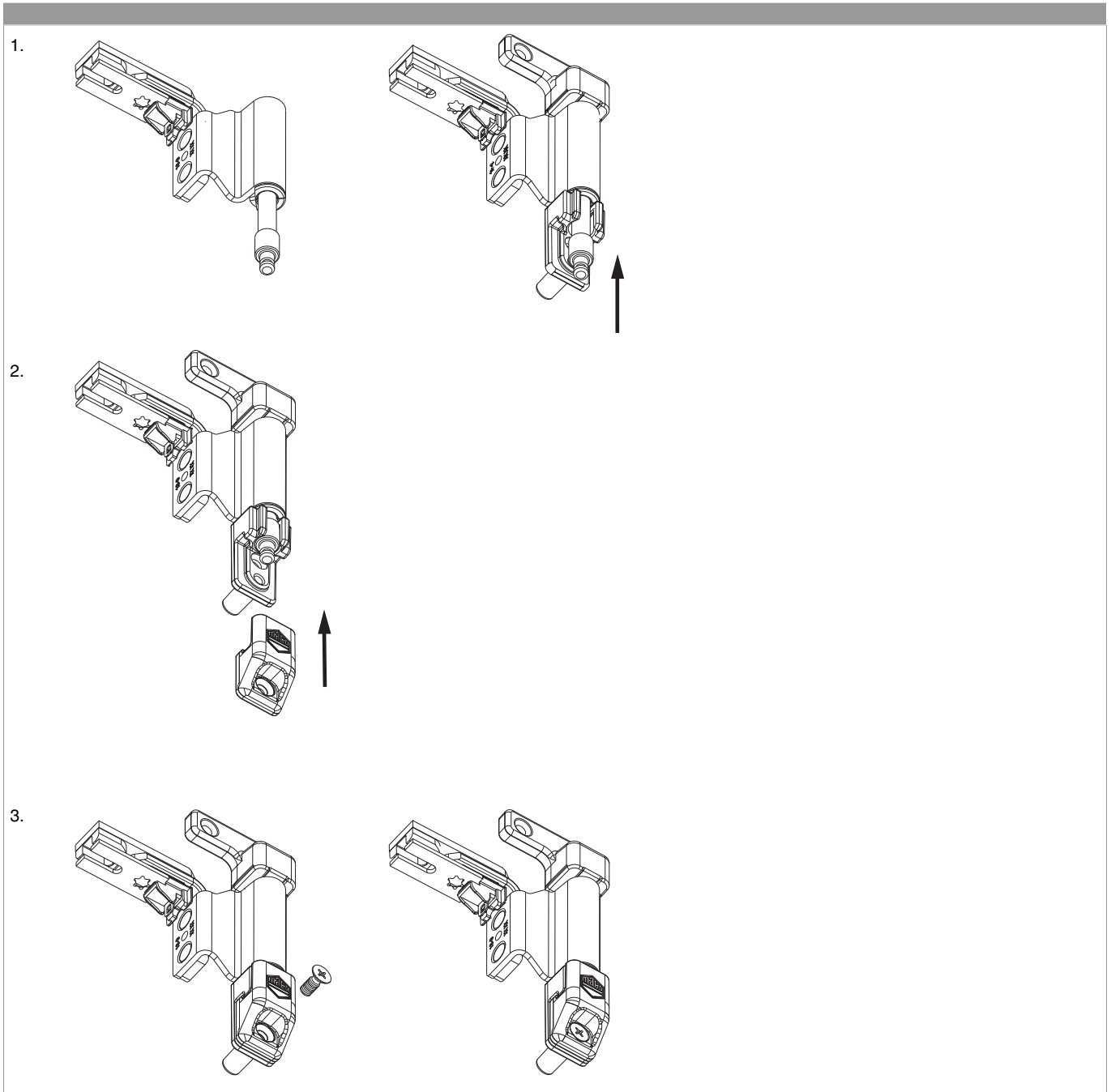
Clearance dimension





210600 - Scissor Stay Multi Mammut with 9 mm supporting pins right silver

Operation





210600 - Scissor Stay Multi Mammut with 9 mm supporting pins right silver

- 1. Insert the rebated scissor stay support arm with pre-mounted scissor stay hinge pin into the scissor stay hinge and push the pin up.
- 2. Insert the scissor stay hinge pin up to the stop.
- 3. Screw in the threaded screw supplied.

WARNING: Failure to comply with these instructions may result in the sash falling out of the frame!