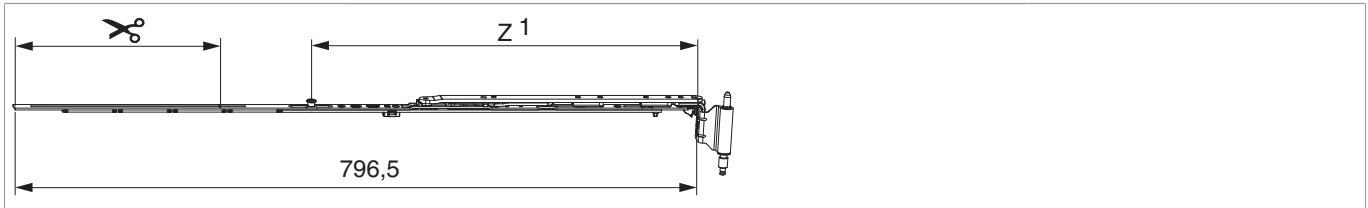




223621 - MM rebated scissor stay tilt & turn Lh Multi Mammut V3 pre-assembled rebated scissor stay support arm silver 890 with 1 i.S. 12/20-13 SRW 671-890 silver

Technical drawing



							L			Nº
silver	Lh	12 / 20 / 13	890	671 - 890	601 - 670	230	796,5	220	10	223621

Screw position table

Nº		1	2	3	4	5	6	7	8	9
223621	5	19	92	234	351	414				

Cam position table

Nº		Z1	Z2
223621	1	450	

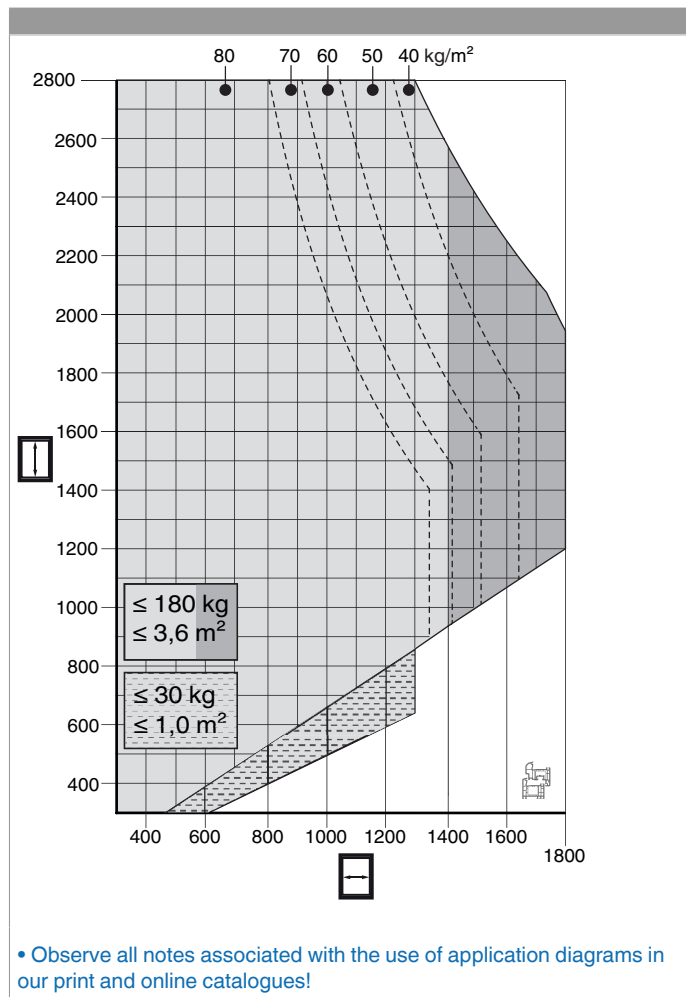
Jigs

				Nº
routing jig for corner support & rebated scissor stay support arm	timber	MULTI MAMMUT	1	213099



223621 - MM rebated scissor stay tilt & turn Lh Multi Mammut V3 pre-assembled rebated scissor stay support arm silver 890 with 1 i.S. 12/20-13 SRW 671-890 silver

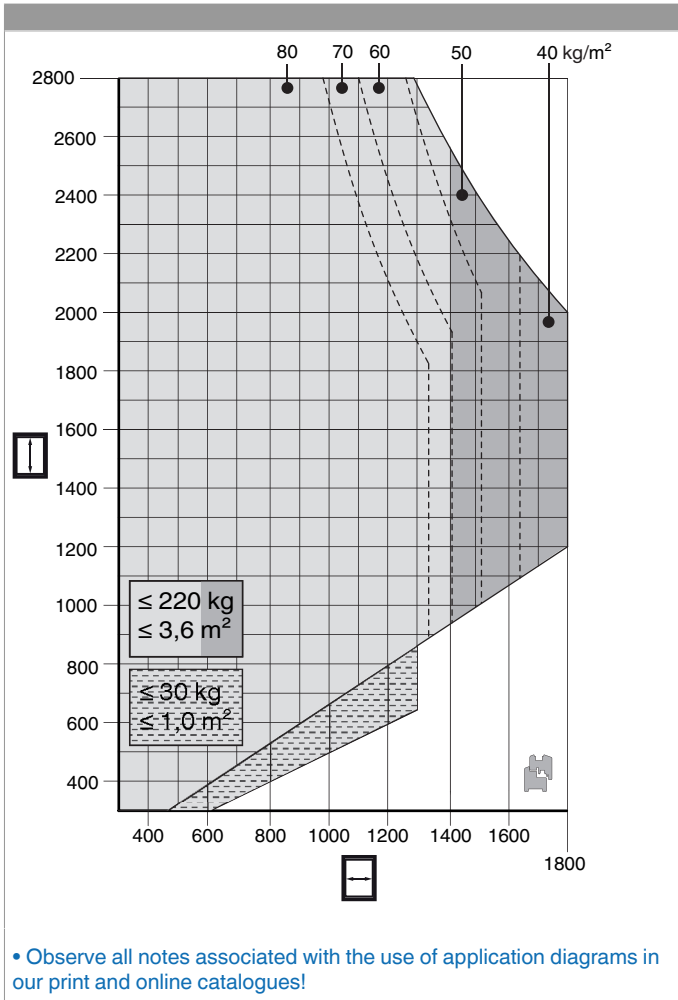
Application diagram PVC



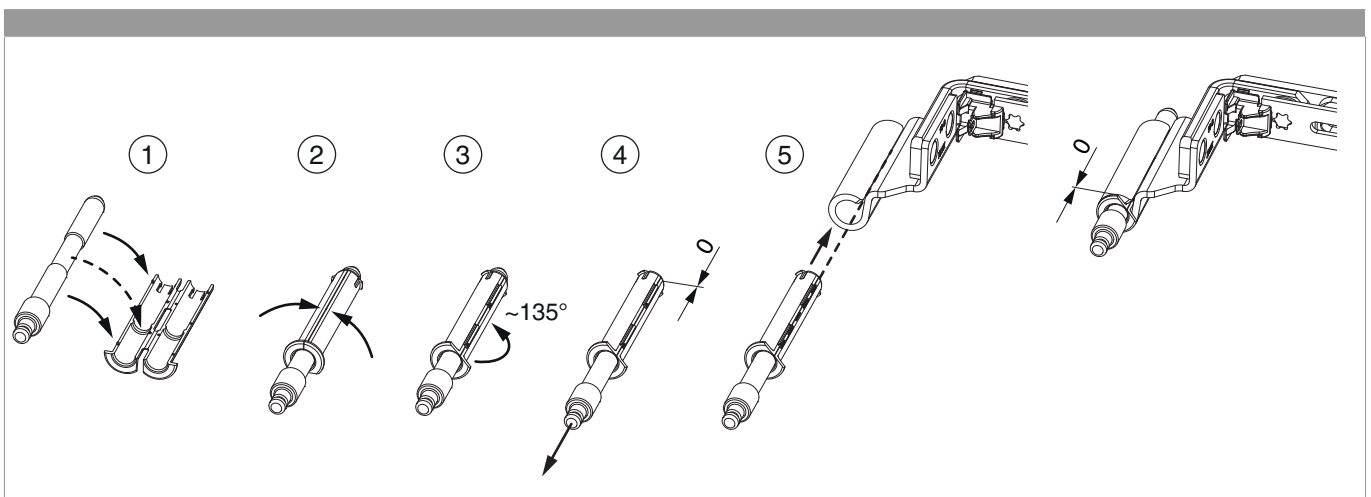


223621 - MM rebated scissor stay tilt & turn Lh Multi Mammut V3 pre-assembled rebated scissor stay support arm silver 890 with 1 i.S. 12/20-13 SRW 671-890 silver

Application diagram Timber



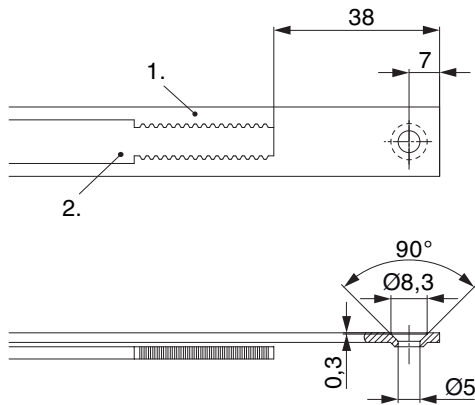
Assembly of individual parts





223621 - MM rebated scissor stay tilt & turn Lh Multi Mammut V3 pre-assembled rebated scissor stay support arm silver 890 with 1 i.S. 12/20-13 SRW 671-890 silver

Punch pattern

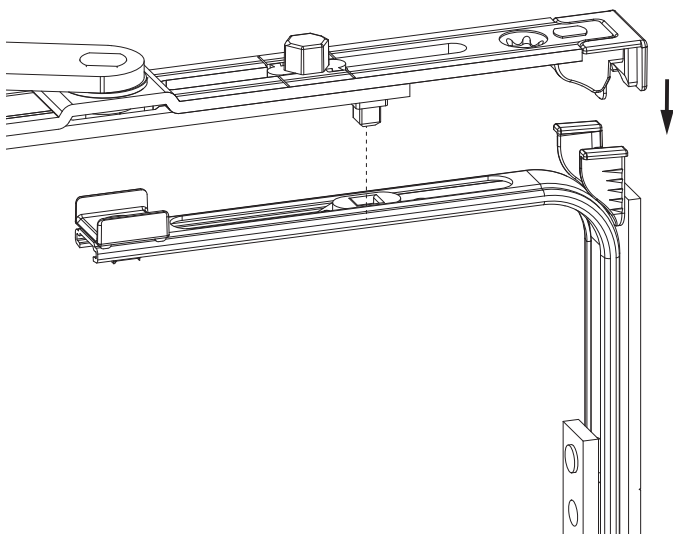


• We recommend re-treating the cropped edges of Tricoat-Evo fittings with the Tricoat-Evo touch-up paint (item no. 373439).

1. Faceplate
2. Drive track

Snap joint

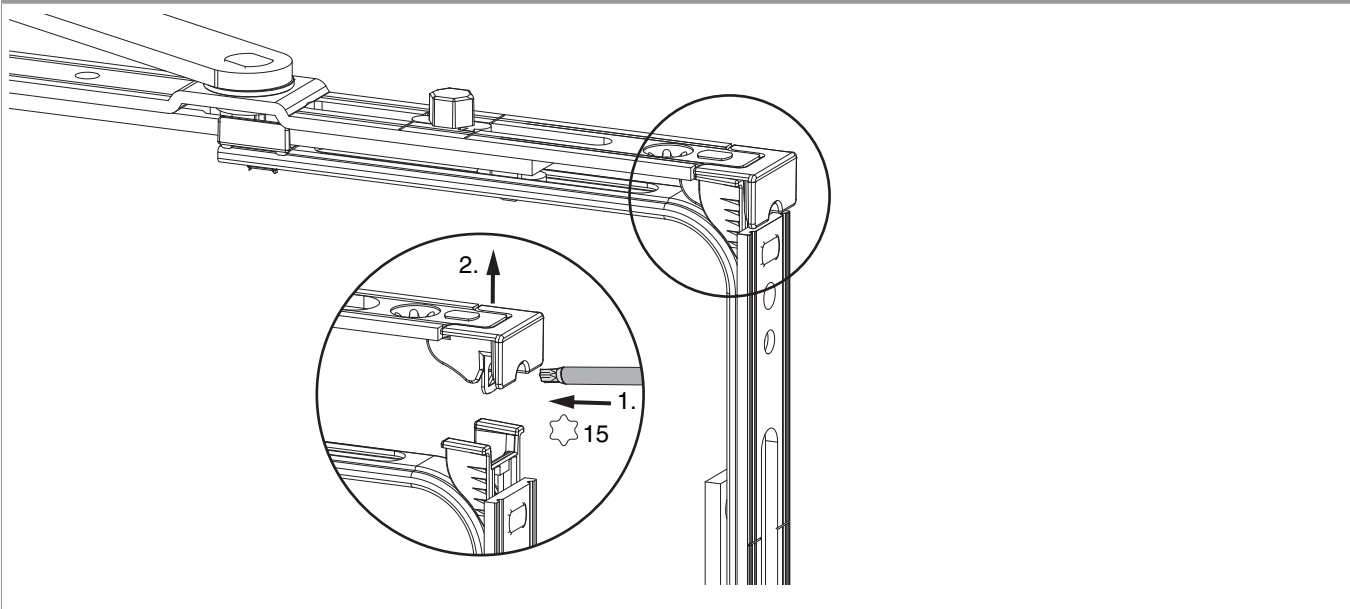
Engage snap joint



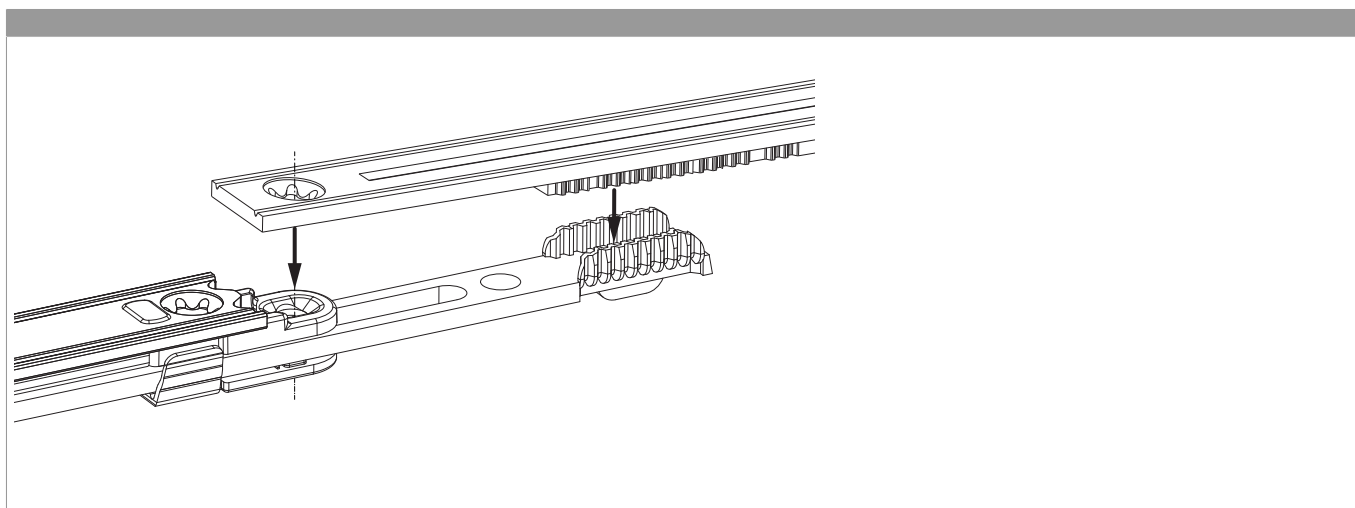


223621 - MM rebated scissor stay tilt & turn Lh Multi Mammut V3 pre-assembled rebated scissor stay support arm silver 890 with 1 i.S. 12/20-13 SRW 671-890 silver

Disengage snap joint



Serrated carrier connection

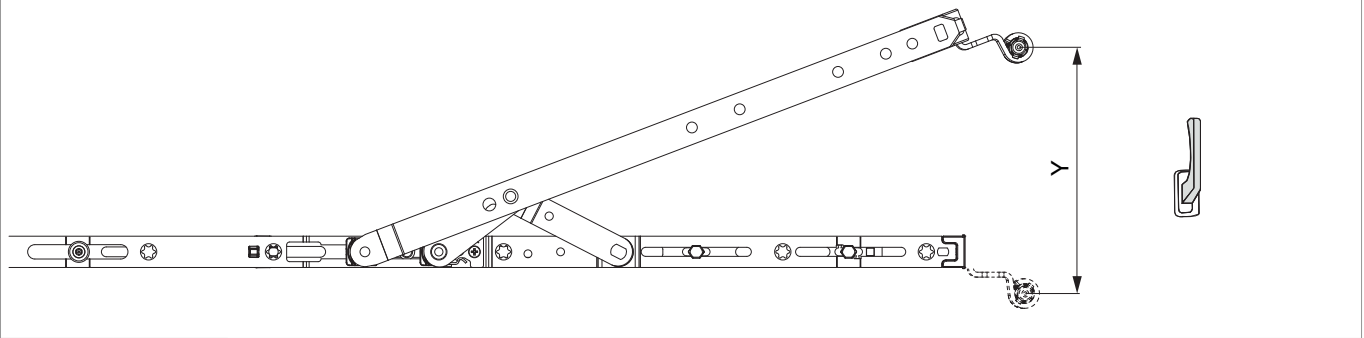




223621 - MM rebated scissor stay tilt & turn Lh Multi Mammut V3 pre-assembled rebated scissor stay support arm silver 890 with 1 i.S. 12/20-13 SRW 671-890 silver

Opening width

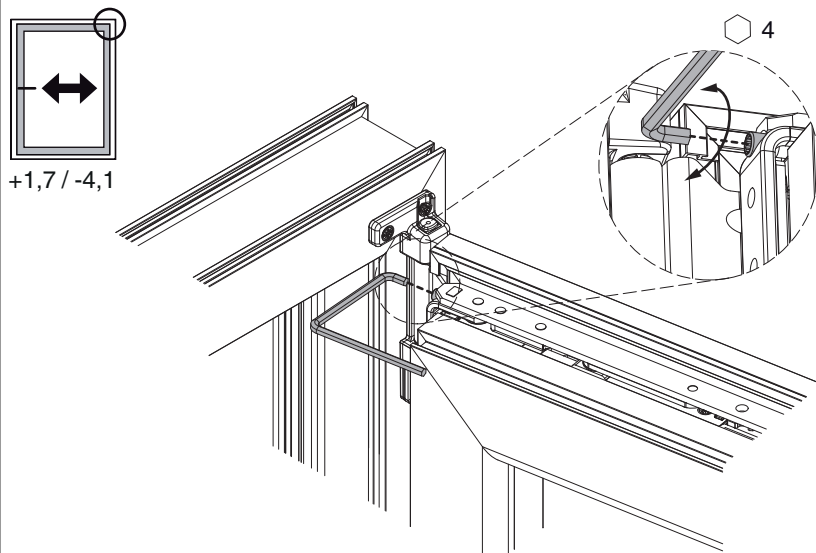
Tilt position



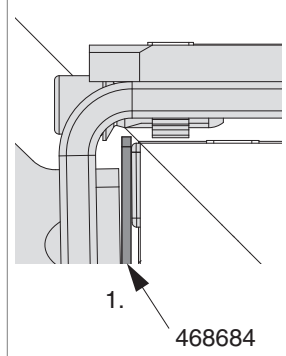
	Y
600	128
900	128
1200	128
1500	128

Lateral adjustment

On sash



Feeler gauge



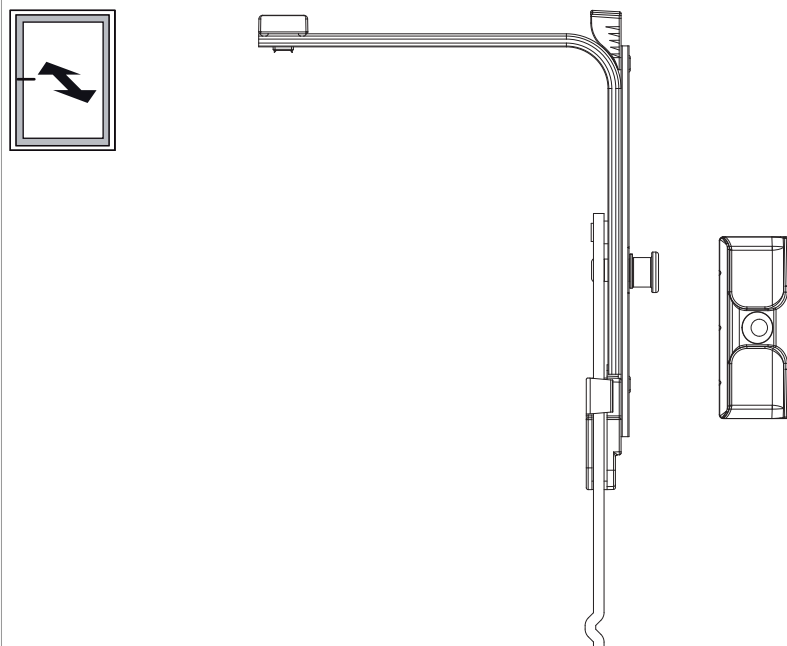
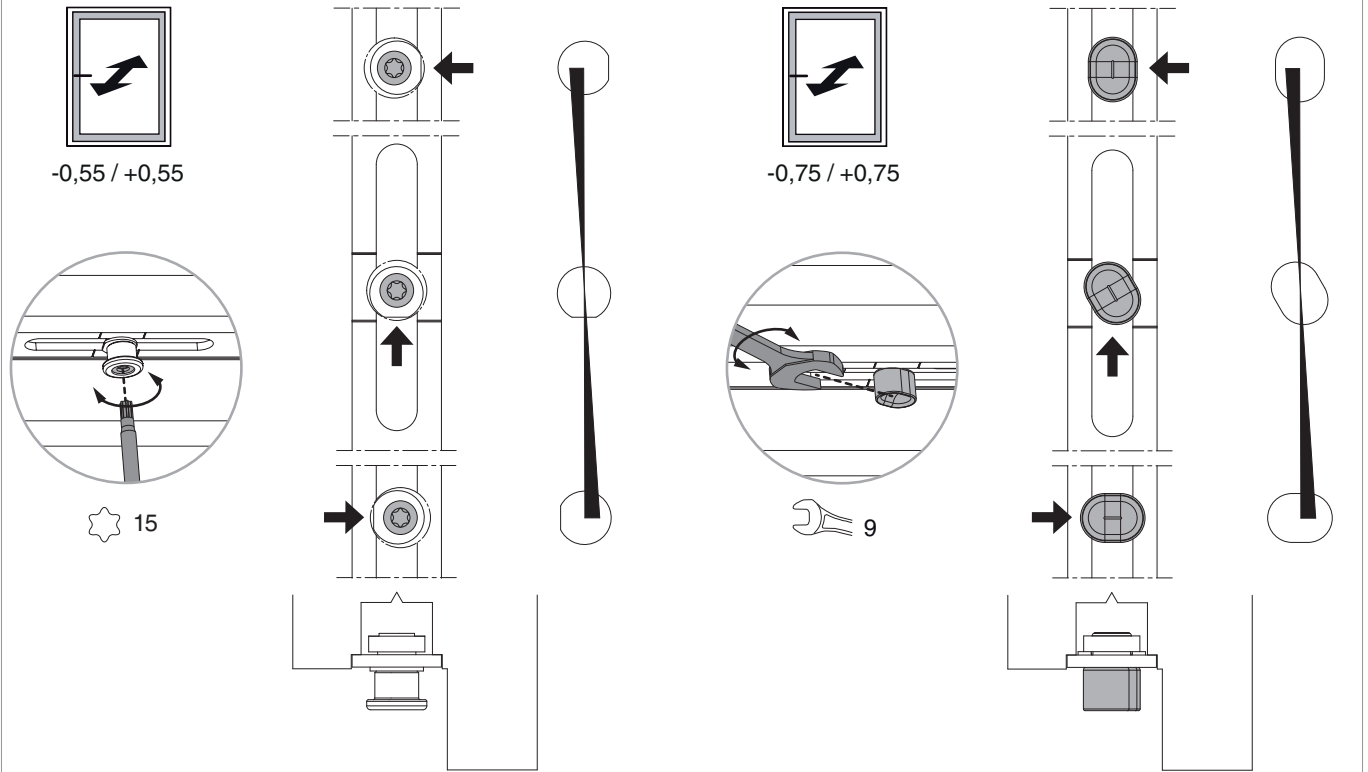
1. The side adjustment of the scissor stays up to version 2 requires the use of feeler gauge item no. 468684 to ensure that the minimum adjustment measurement is not underrun!



223621 - MM rebated scissor stay tilt & turn Lh Multi Mammut V3 pre-assembled rebated scissor stay support arm silver 890 with 1 i.S. 12/20-13 SRW 671-890 silver

Gasket compression adjustment

i.S. locking cams and standard locking cams



CAUTION: Use corner element with cam or centre lock EH for gasket compression adjustment.