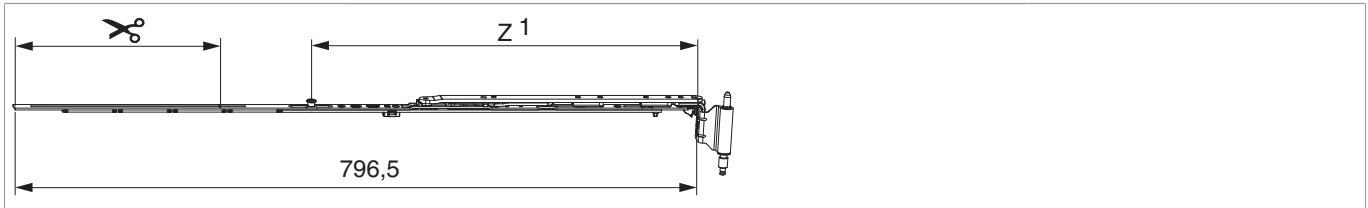




## 223604 - MM rebated scissor stay tilt & turn Rh Multi Mammut V3 pre-assembled rebated scissor stay support arm silver 890 with 1 i.S. 12/18-13 SRW 671-890 silver

### Technical drawing



							<b>L</b>			<b>Nº</b>
silver	Rh	12 / 18 / 13	890	671 - 890	601 - 670	230	796,5	220	10	<a href="#">223604</a>

### Screw position table

<b>Nº</b>		1	2	3	4	5	6	7	8	9
<a href="#">223604</a>	5	19	92	234	351	414				

### Cam position table

<b>Nº</b>		Z1	Z2
<a href="#">223604</a>	1	450	

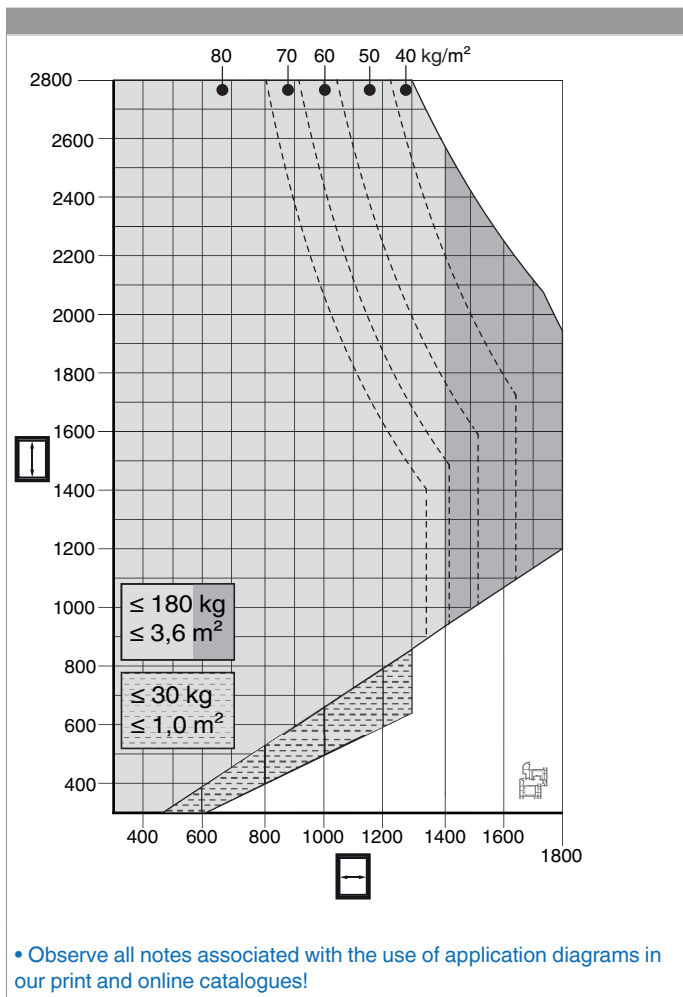
### Jigs

				<b>Nº</b>
routing jig for corner support & rebated scissor stay support arm	timber	MULTI MAMMUT	1	<a href="#">213099</a>



# 223604 - MM rebated scissor stay tilt & turn Rh Multi Mammut V3 pre-assembled rebated scissor stay support arm silver 890 with 1 i.S. 12/18-13 SRW 671-890 silver

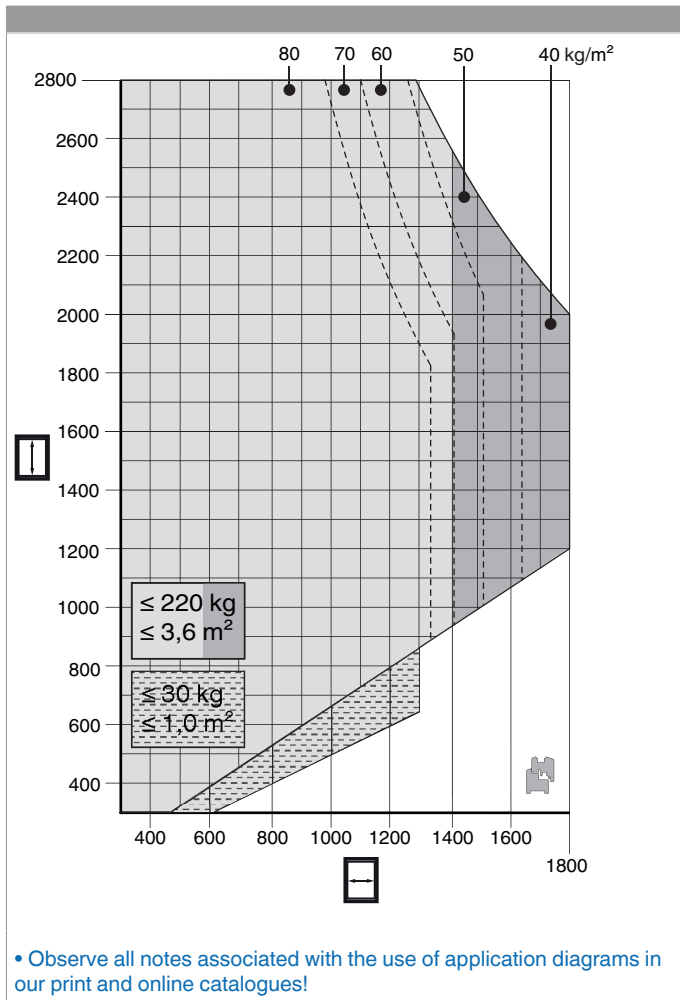
## Application diagram PVC



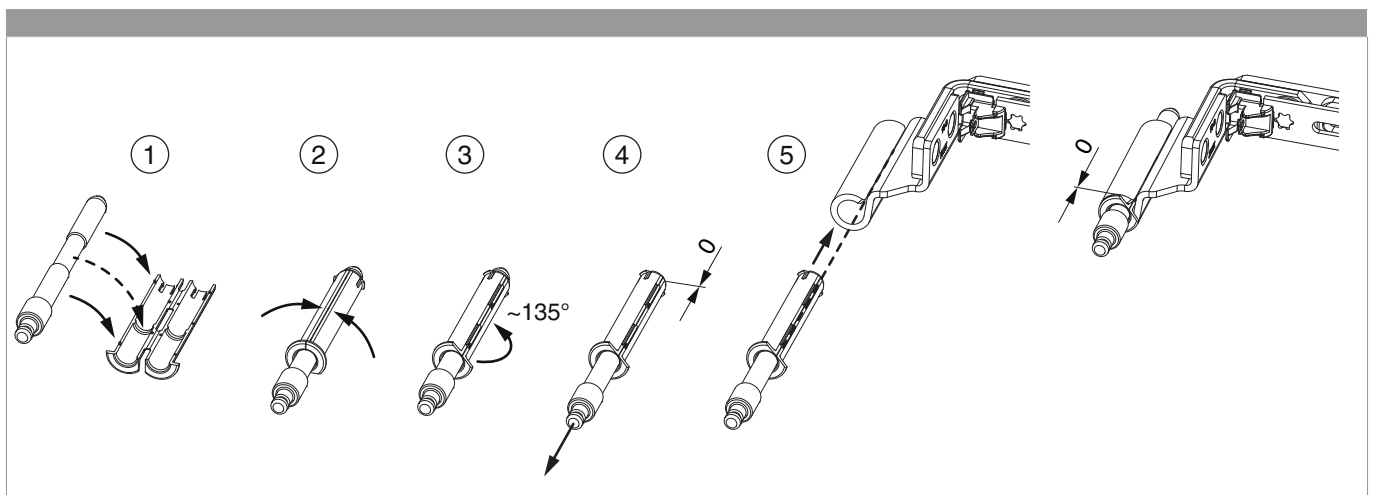


## 223604 - MM rebated scissor stay tilt & turn Rh Multi Mammut V3 pre-assembled rebated scissor stay support arm silver 890 with 1 i.S. 12/18-13 SRW 671-890 silver

### Application diagram Timber



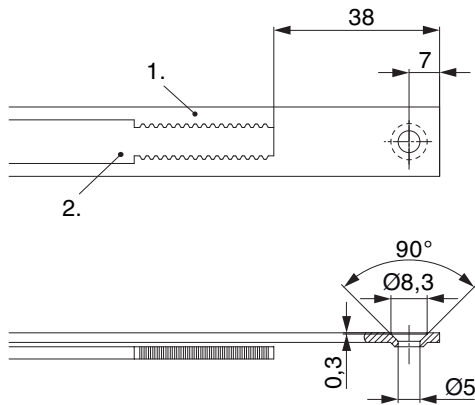
### Assembly of individual parts





## 223604 - MM rebated scissor stay tilt & turn Rh Multi Mammut V3 pre-assembled rebated scissor stay support arm silver 890 with 1 i.S. 12/18-13 SRW 671-890 silver

### Punch pattern

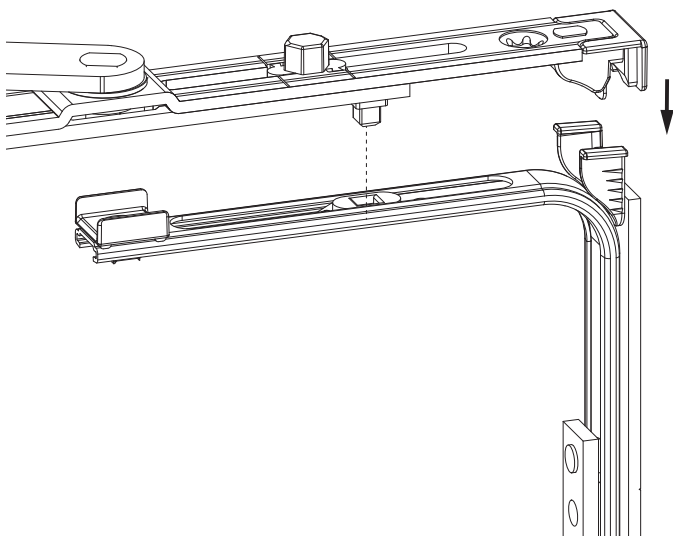


• We recommend re-treating the cropped edges of Tricoat-Evo fittings with the Tricoat-Evo touch-up paint (item no. 373439).

1. Faceplate
2. Drive track

### Snap joint

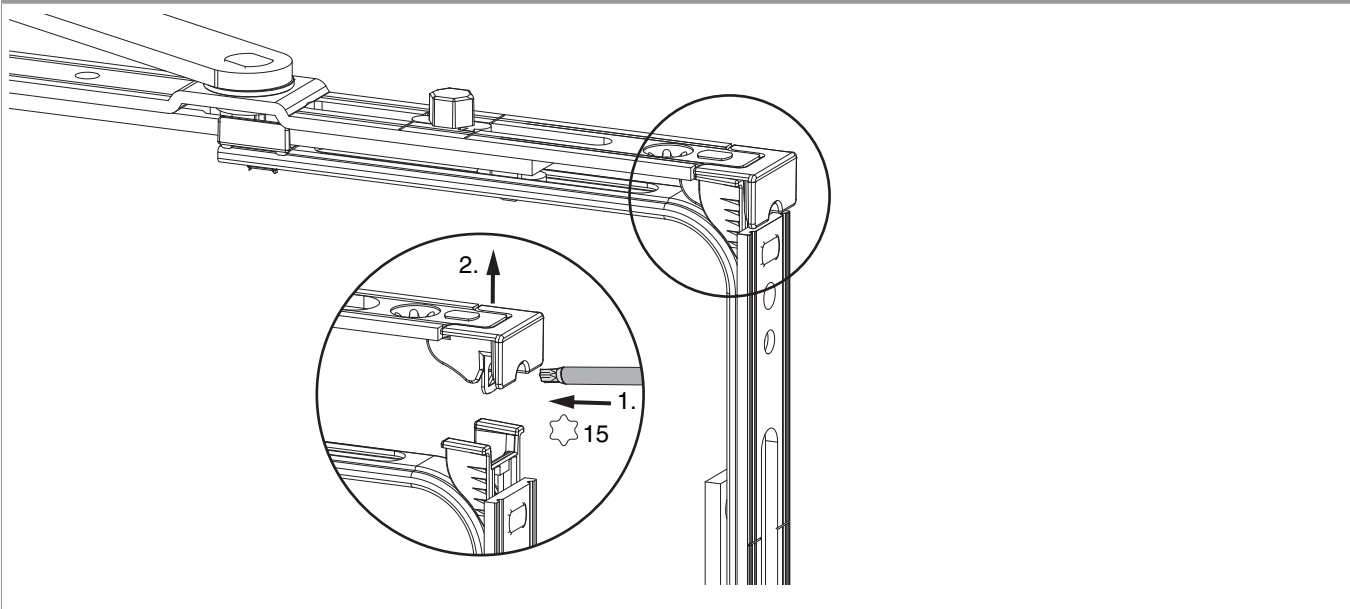
Engage snap joint



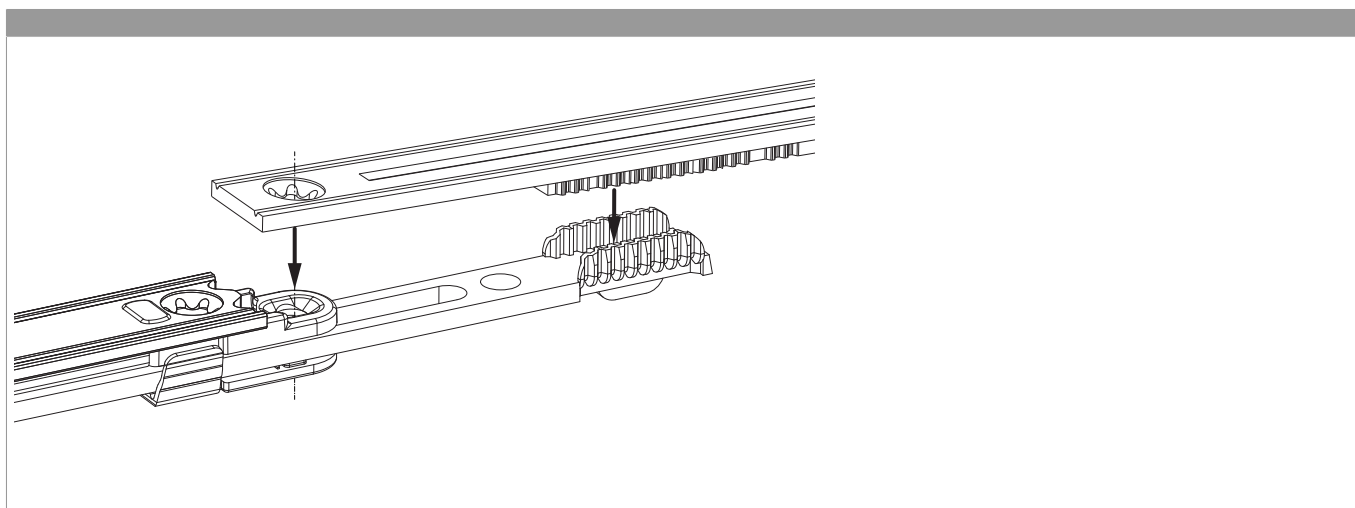


**223604 - MM rebated scissor stay tilt & turn Rh Multi Mammut V3 pre-assembled rebated scissor stay support arm silver 890 with 1 i.S. 12/18-13 SRW 671-890 silver**

**Disengage snap joint**



**Serrated carrier connection**

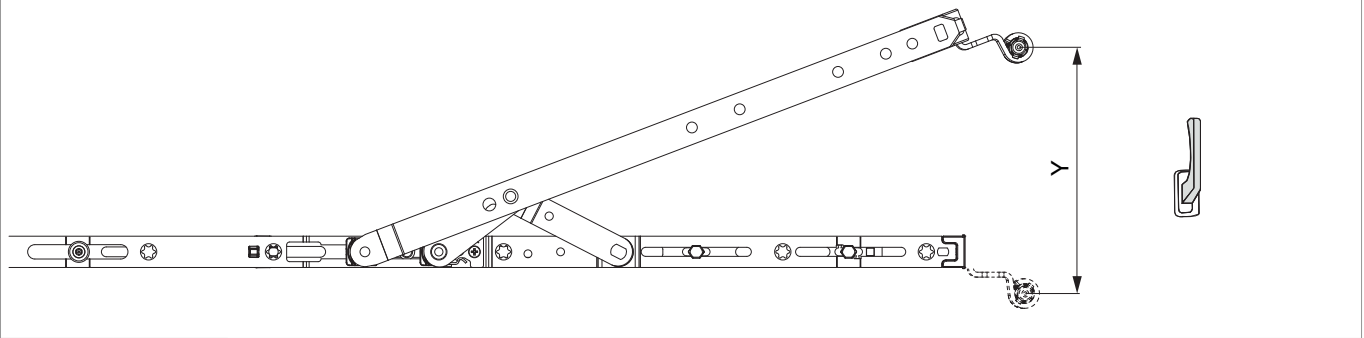





**223604 - MM rebated scissor stay tilt & turn Rh Multi Mammut V3 pre-assembled rebated scissor stay support arm silver 890 with 1 i.S. 12/18-13 SRW 671-890 silver**

**Opening width**

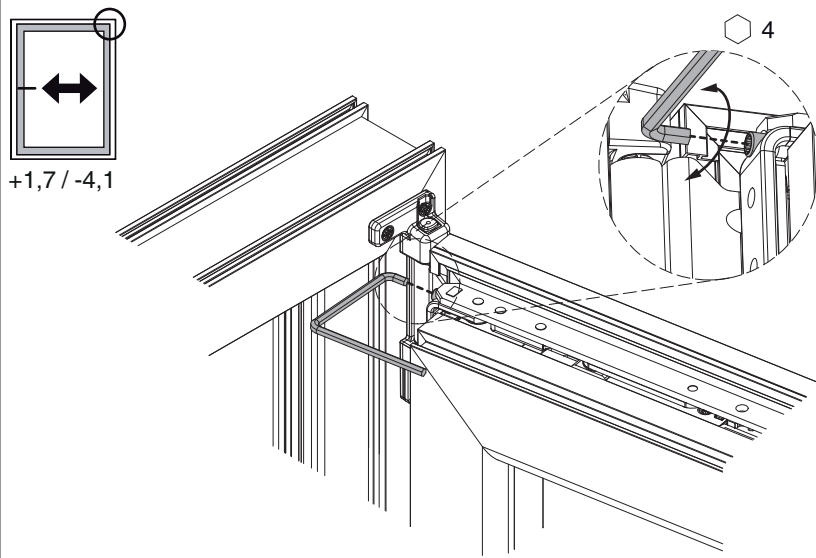
Tilt position



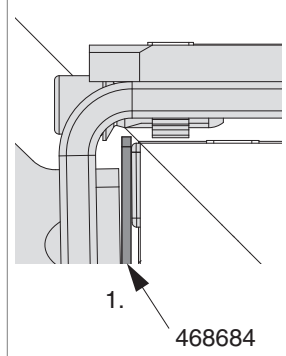
	Y
600	128
900	128
1200	128
1500	128

**Lateral adjustment**

On sash



Feeler gauge



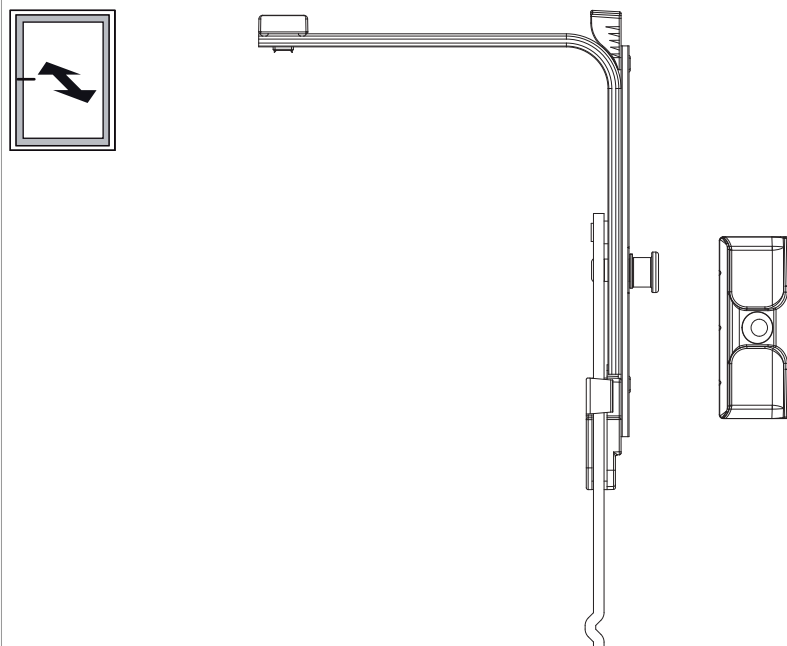
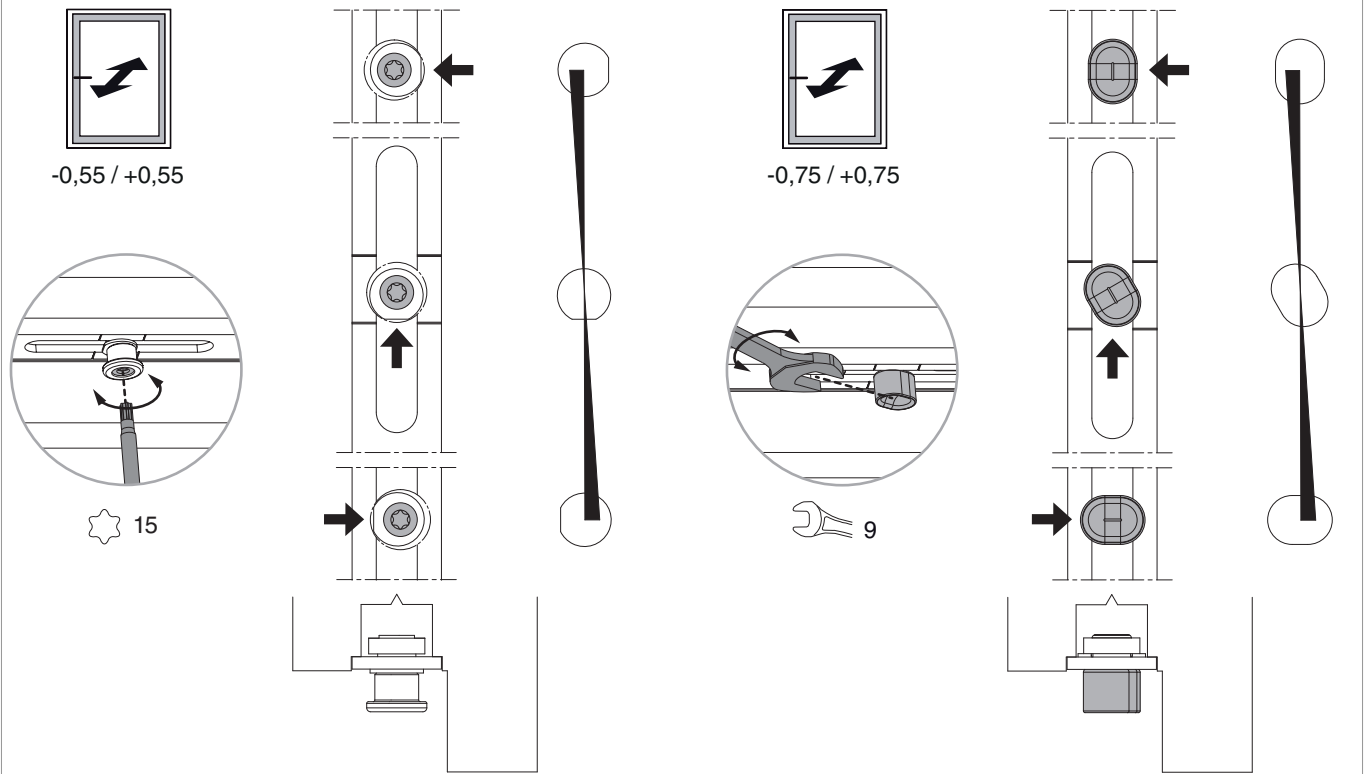
1. The side adjustment of the scissor stays up to version 2 requires the use of feeler gauge item no. 468684 to ensure that the minimum adjustment measurement is not underrun!



# 223604 - MM rebated scissor stay tilt & turn Rh Multi Mammut V3 pre-assembled rebated scissor stay support arm silver 890 with 1 i.S. 12/18-13 SRW 671-890 silver

## Gasket compression adjustment

i.S. locking cams and standard locking cams



**CAUTION:** Use corner element with cam or centre lock EH for gasket compression adjustment.