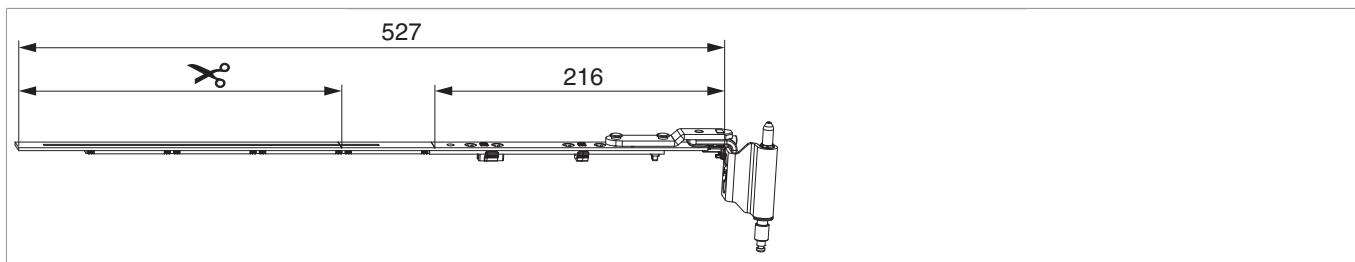




223778 - MM turn-only hinge on top fixed/croppable Multi Mammut Rh pre-assembled rebated scissor stay support arm silver 12/18-13 SRW 400-635 silver

Technical drawing



silver	Rh	12 / 18 / 13	400 - 635	240,5	220	10	223778¹⁾

¹⁾ Above the maximum application range use faceplate extension and centre lock.

Screw position table

No.		1	2	3	4
223778	4	91,5	115	168	188

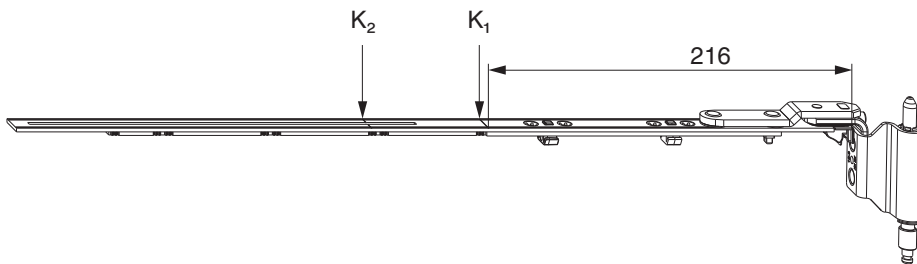
Hardware overview turn-only hinge (sash part) croppable MM 180 kg

Key	Faceplate length	i.S. cam	Cam position
Turn-only hinge - sash part croppable	527	0	0
Faceplate extension	235	0	0
Faceplate extension	235	1	168,5
Centre lock 1280V	470	1	403,5
Centre lock 1500V	705	1	638,5
Centre lock 1280V	470	1	403,5
Centre lock 1280V	470	1	638,5



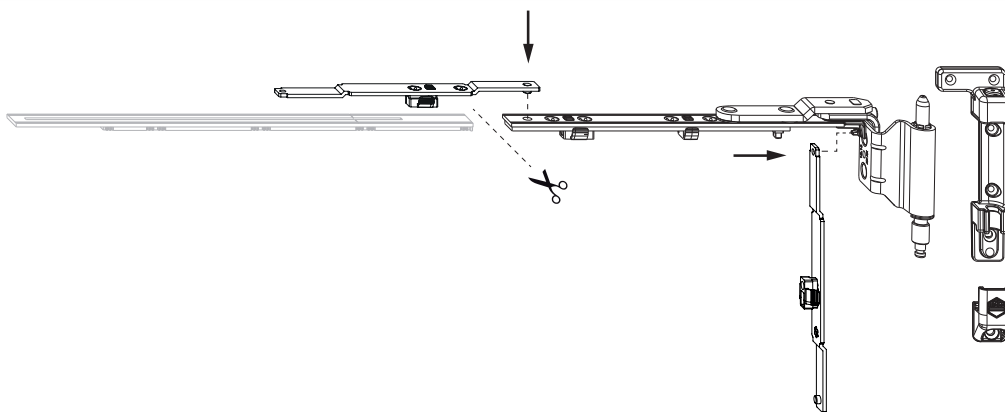
223778 - MM turn-only hinge on top fixed/croppable Multi Mammut Rh pre-assembled rebated scissor stay support arm silver 12/18-13 SRW 400-635 silver

Installation



K₁ = notch for fixed turn-only hinge

K₂ = Notch for max. cropping length when used as croppable turn-only hinge (sash part).



Position turn-only hinge (sash part) and fasten.

Fasten according to: **TBDK guideline** Gütegemeinschaft Schlösser und Beschläge (Locks and Fittings Quality Association - www.schlossindustrie.de).

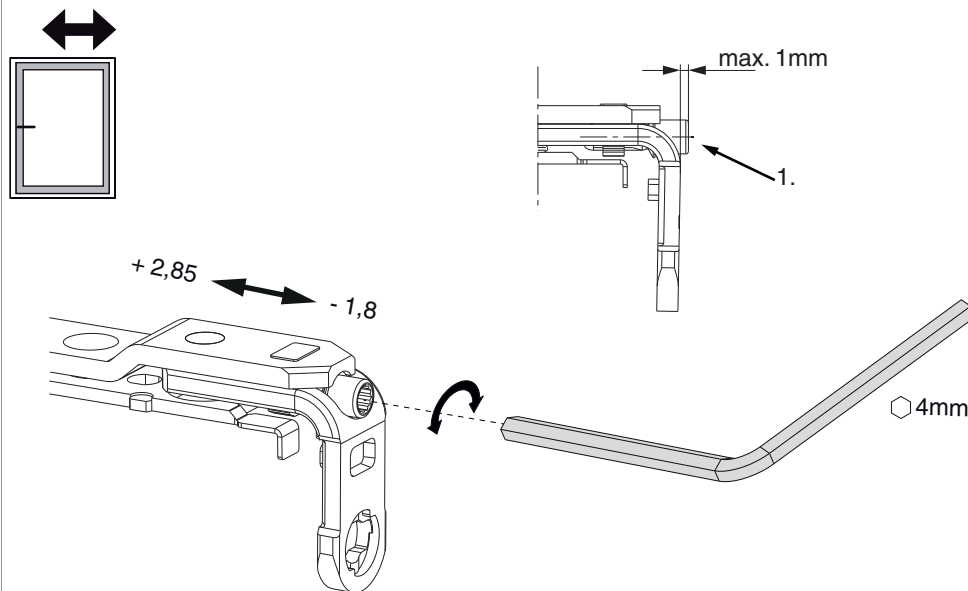
CAUTION: Use centre lock EH on hinge side to adjust gasket compression!



223778 - MM turn-only hinge on top fixed/croppable Multi Mammut Rh pre-assembled rebated scissor stay support arm silver 12/18-13 SRW 400-635 silver

Lateral adjustment

in the turn-only hinge - sash part



1. When lowering the sash, make sure that the screw is not removed completely. The head of the screw must not protrude more than a maximum of 1 mm!

Gasket compression adjustment

Turn-only hinge - sash part croppable



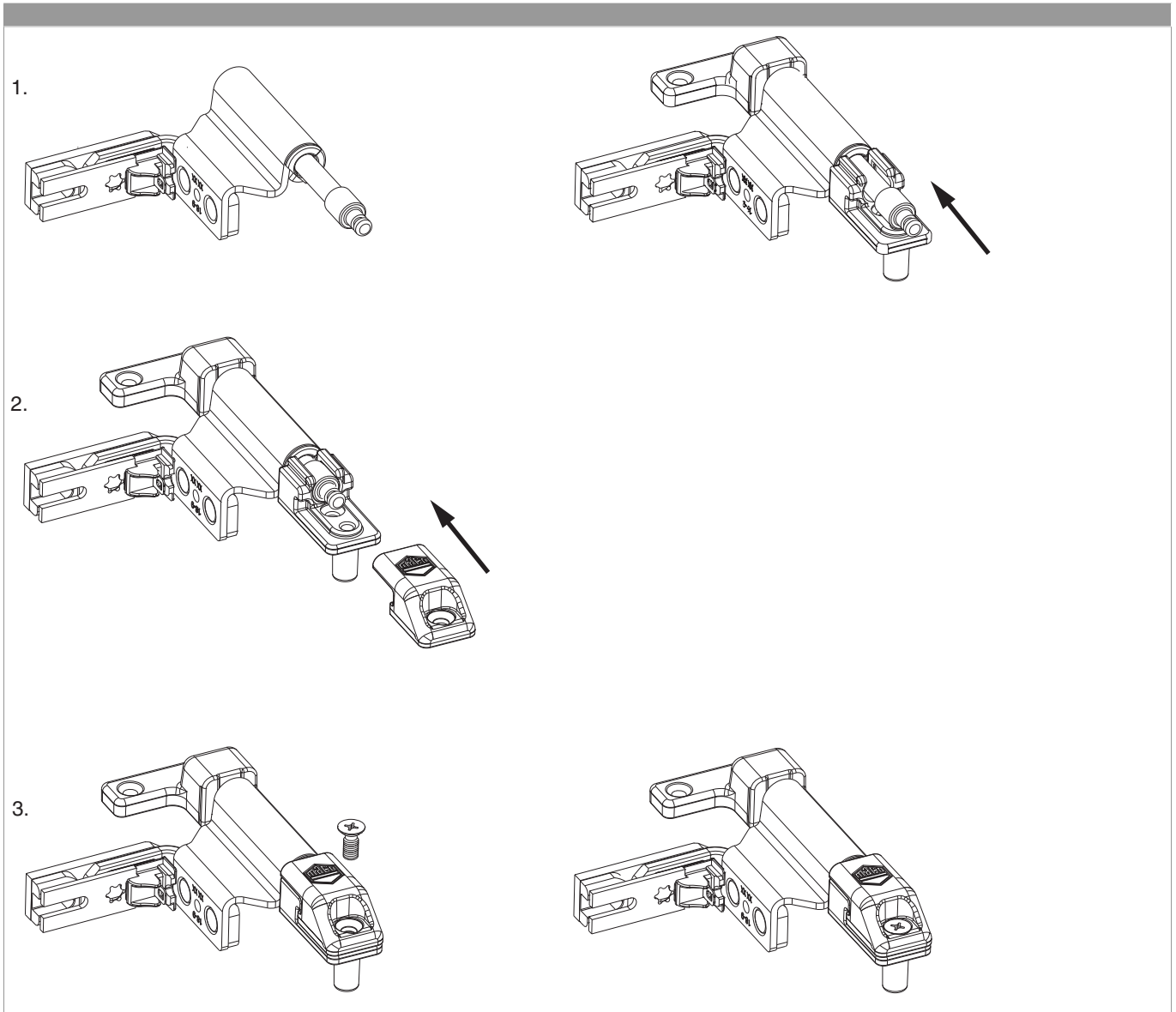
• With vertical corner element item no. 222209 respectively 222208 or centre lock one piece EH.

Turn-only hinge - sash part fixed



• To adjust the gasket compression the compression lock has to be set as near as possible to the turn-only hinge - sash part.

Operation



1. Insert the rebated scissor stay support arm with pre-mounted scissor stay hinge pin into the scissor stay hinge and push the pin up.
2. Insert the scissor stay hinge pin up to the stop.
3. Screw in the threaded screw supplied.

WARNING: Failure to comply with these instructions may result in the sash falling out of the frame!