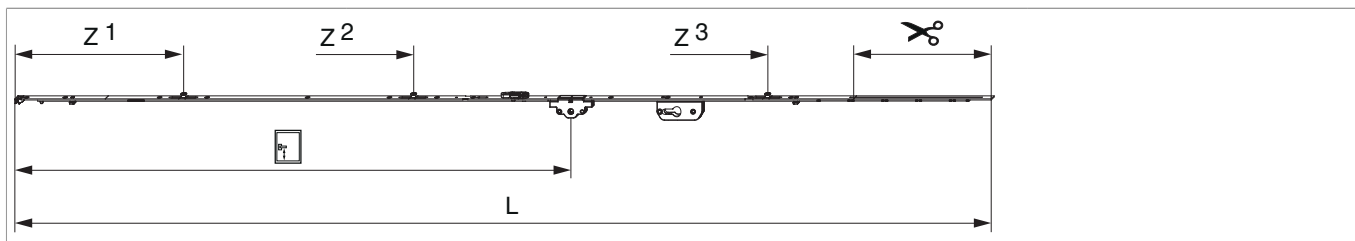




205571 - tilt&turn drive gear MM 2200 BS25 fixed handle height lockable for PC with 3 i.S. SRH 1.951-2.200 GM1.050 silver

Technical drawing



							L		Nº
silver	2200	25	1.050	1.951 - 2.200	260,5	1	2.096,5	10	205571

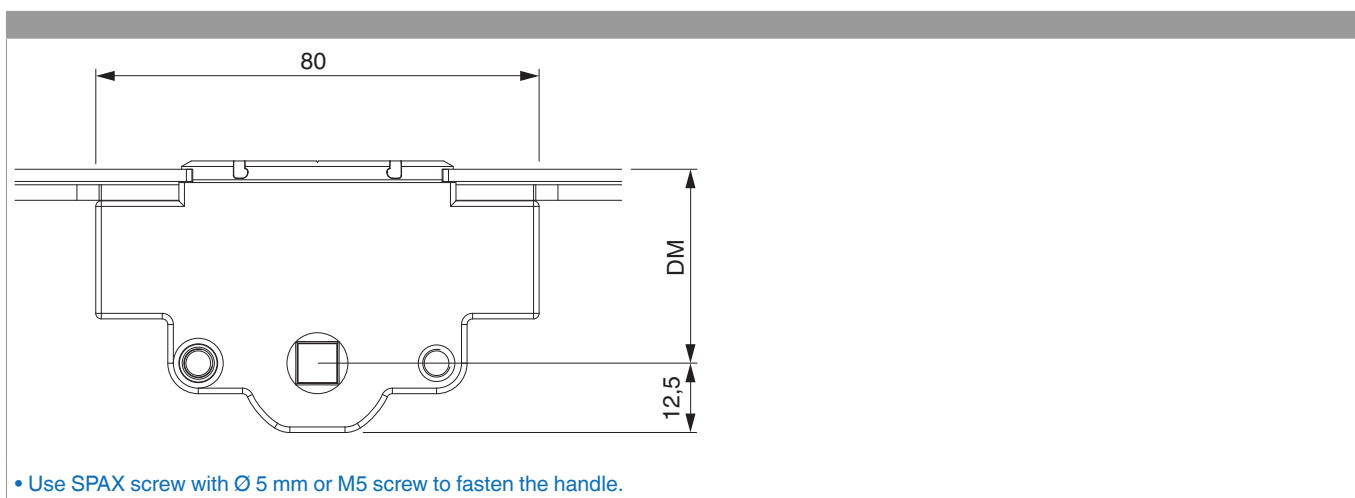
Screw position table

Nº		1	2	3	4	5	6	7	8	9	10	11	12	13	14
205571	12	18,5	91,5	270	360	550	705	795	863,5	1.124	1.388	1.465	1.729		

Cam position table

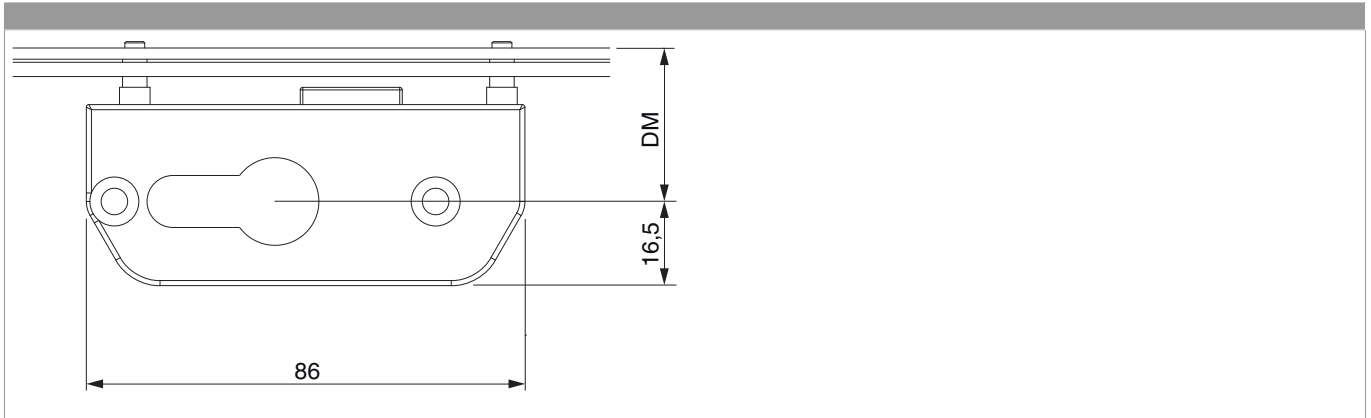
Nº		Z1	Z2	Z3	Z4
205571	3	315	750	1.420	

Gearbox dimensions



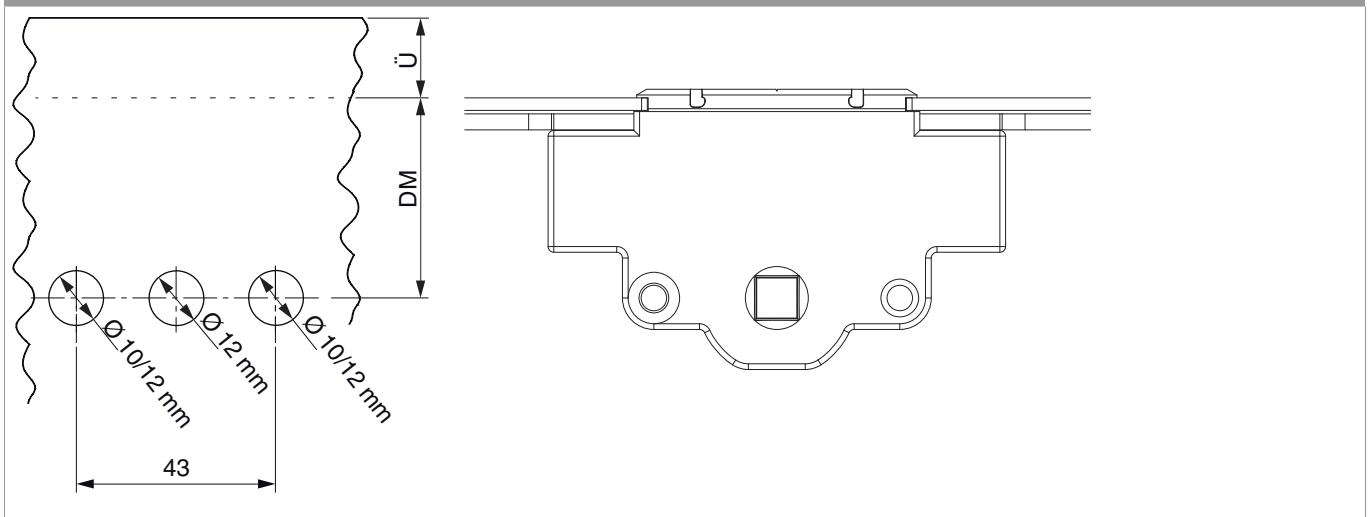


205571 - tilt&turn drive gear MM 2200 BS25 fixed handle
height lockable for PC with 3 i.S. SRH 1.951-2.200
GM1.050 silver



Drilling hole pattern

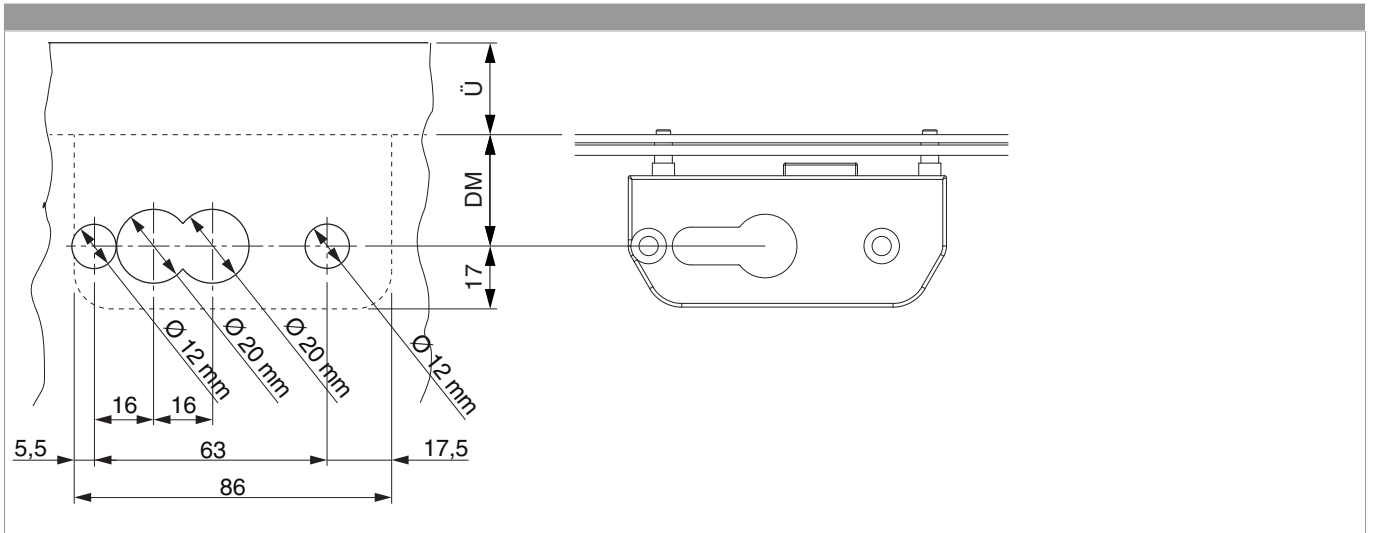
For timber, PVC and aluminium windows





205571 - tilt&turn drive gear MM 2200 BS25 fixed handle
height lockable for PC with 3 i.S. SRH 1.951-2.200
GM1.050 silver

Gearbox drilling hole pattern

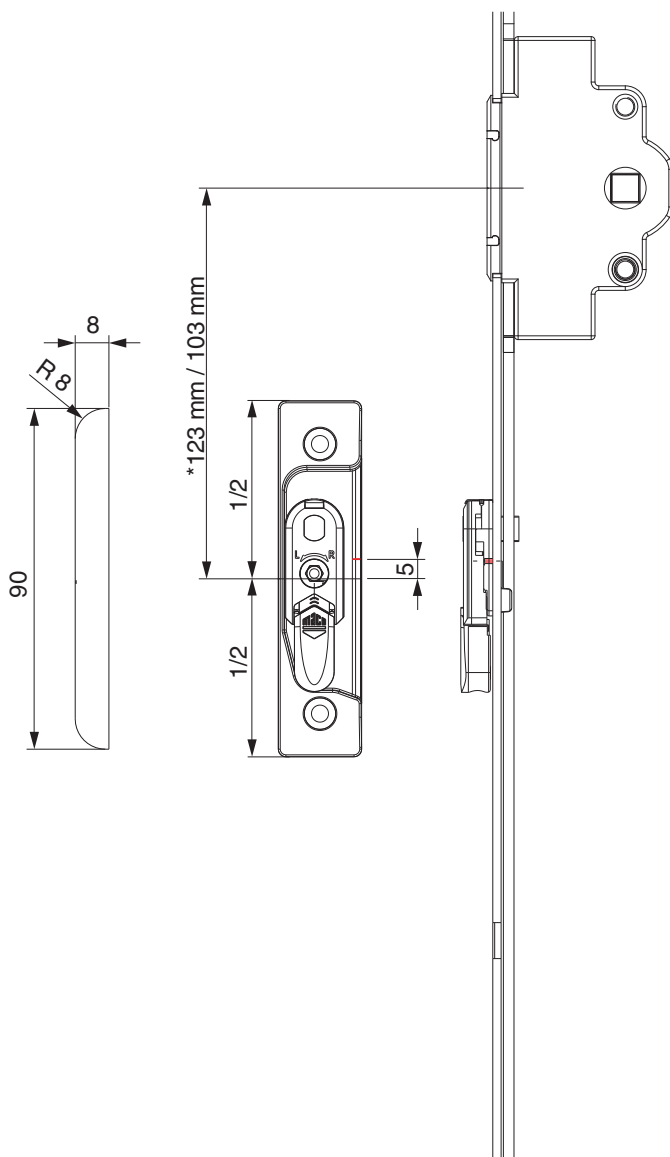




205571 - tilt&turn drive gear MM 2200 BS25 fixed handle
height lockable for PC with 3 i.S. SRH 1.951-2.200
GM1.050 silver

Positioning the sash lifter components

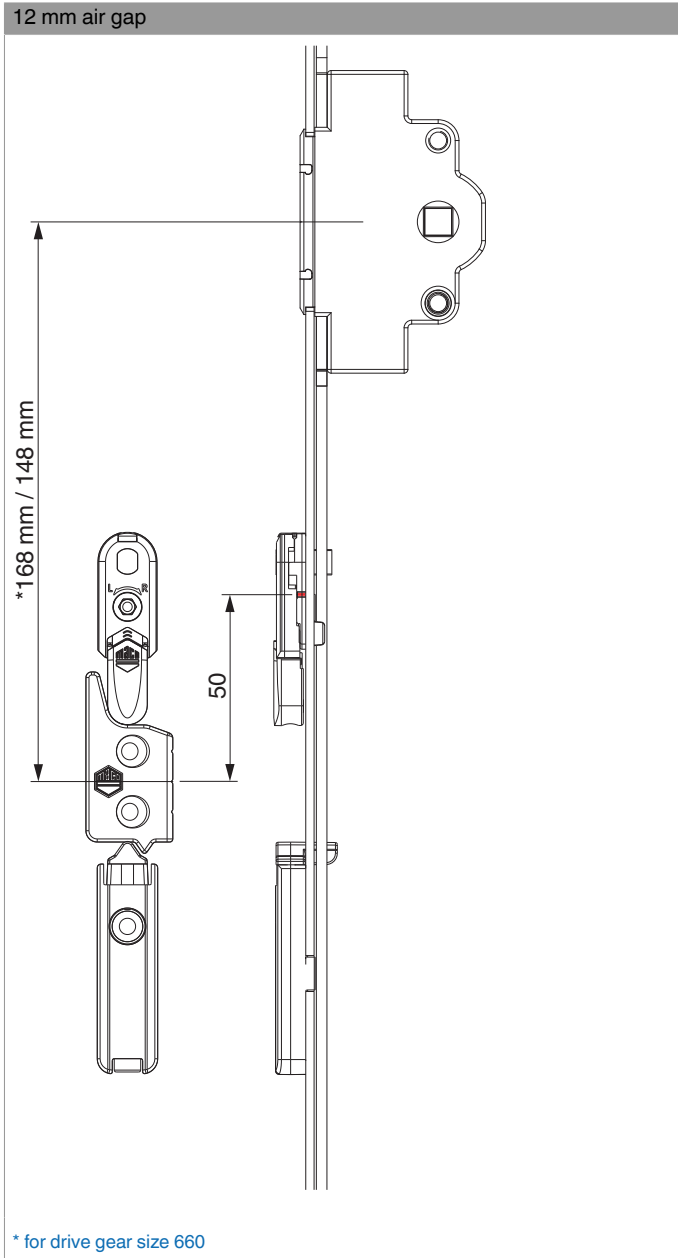
4 mm air gap / without door catch



* for drive gear size 660



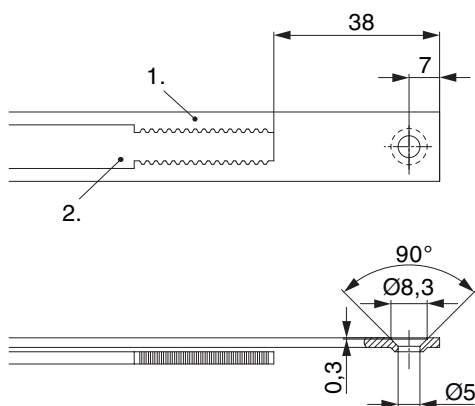
205571 - tilt&turn drive gear MM 2200 BS25 fixed handle
height lockable for PC with 3 i.S. SRH 1.951-2.200
GM1.050 silver





205571 - tilt&turn drive gear MM 2200 BS25 fixed handle height lockable for PC with 3 i.S. SRH 1.951-2.200 GM1.050 silver

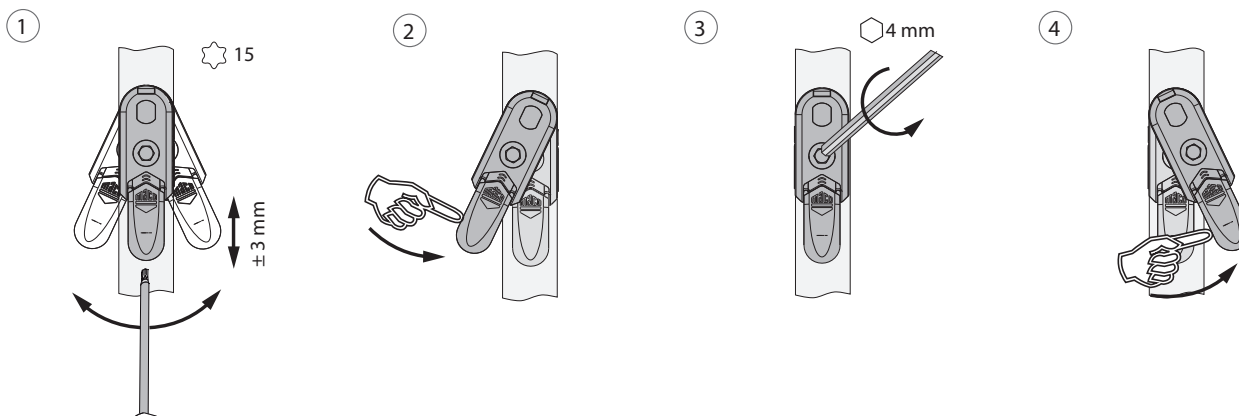
Punch pattern



• We recommend re-treating the cropped edges of Tricoat-Evo fittings with the Tricoat-Evo touch-up paint (item no. 373439).

- 1. Faceplate
- 2. Drive track

Activation and adjustment of sash lifter



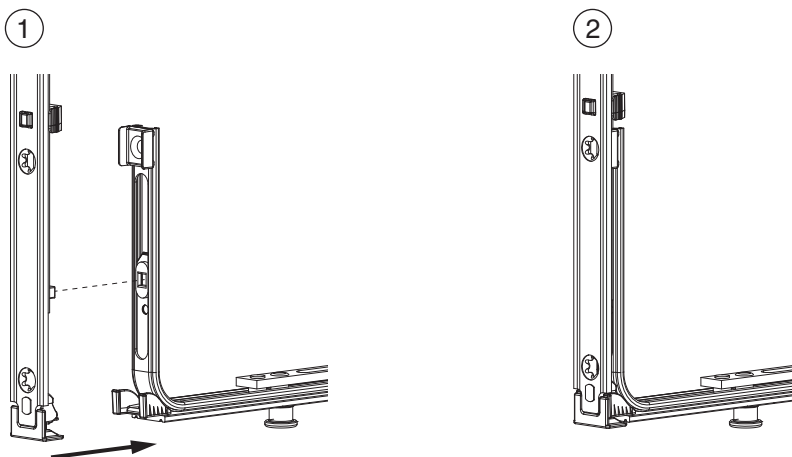
- 1. Activation and height adjustment of sash lifter
- 2. Re-setting the sash lifter.
- 3. Setting neutral position of sash lifter.
- 4. Activating the sash lifter.



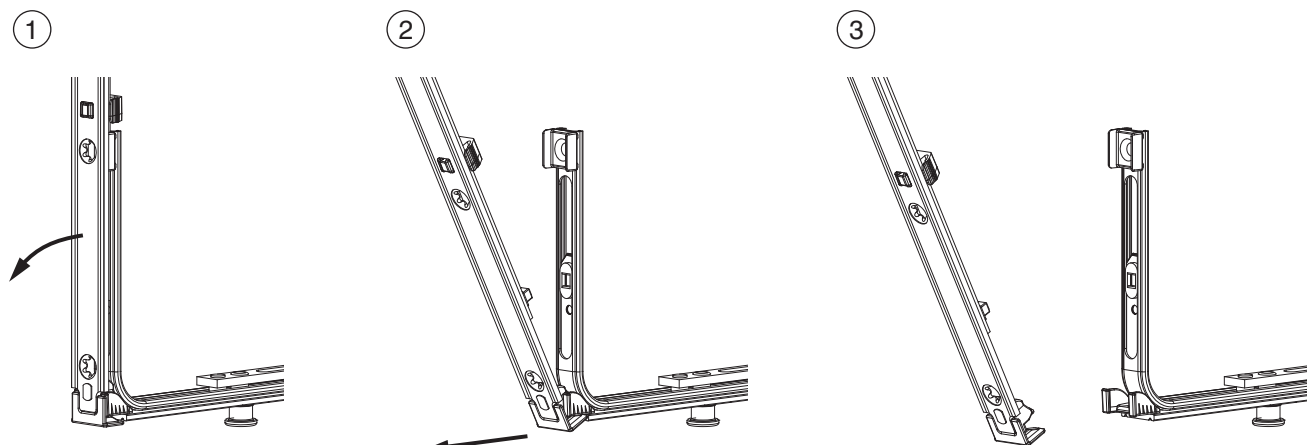
205571 - tilt&turn drive gear MM 2200 BS25 fixed handle
height lockable for PC with 3 i.S. SRH 1.951-2.200
GM1.050 silver

Snap joint

Engage snap joint



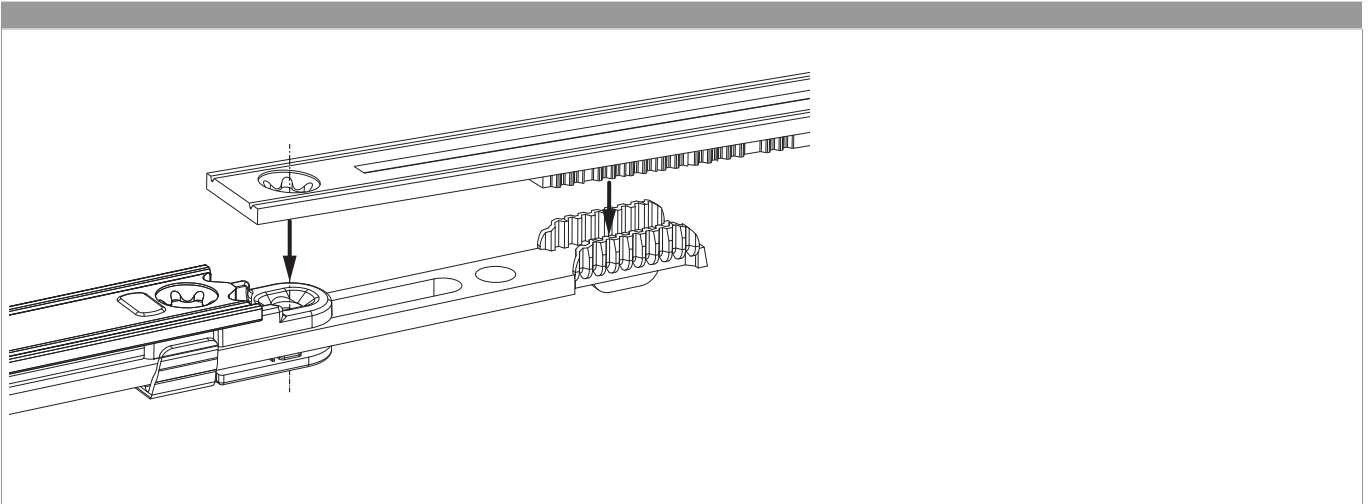
Disengage snap joint





205571 - tilt&turn drive gear MM 2200 BS25 fixed handle
height lockable for PC with 3 i.S. SRH 1.951-2.200
GM1.050 silver

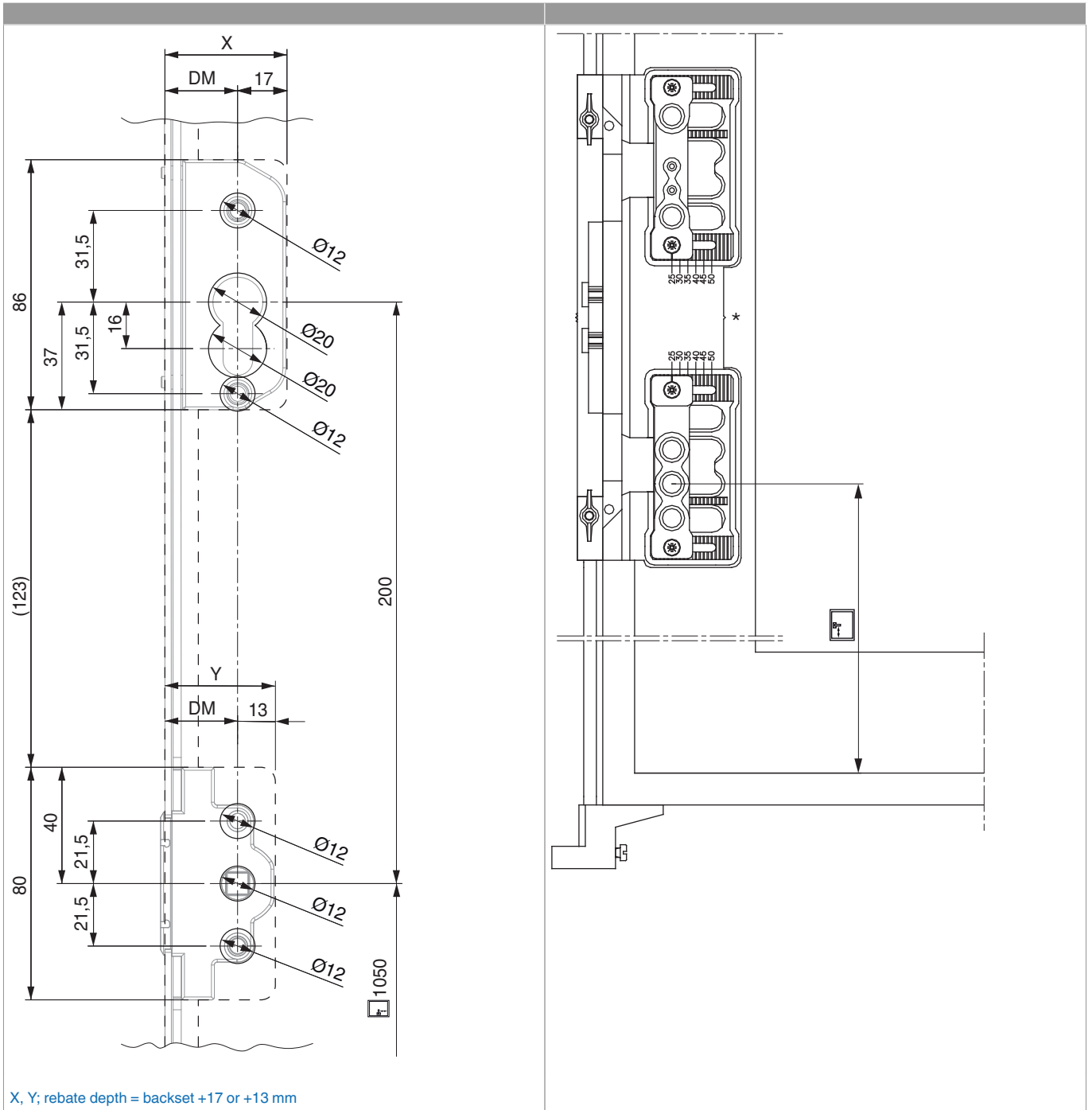
Serrated carrier connection





205571 - tilt&turn drive gear MM 2200 BS25 fixed handle
height lockable for PC with 3 i.S. SRH 1.951-2.200
GM1.050 silver

Lockable door drive gear - stop





205571 - tilt&turn drive gear MM 2200 BS25 fixed handle
height lockable for PC with 3 i.S. SRH 1.951-2.200
GM1.050 silver

Gasket compression adjustment

i.S. locking cams and standard locking cams

