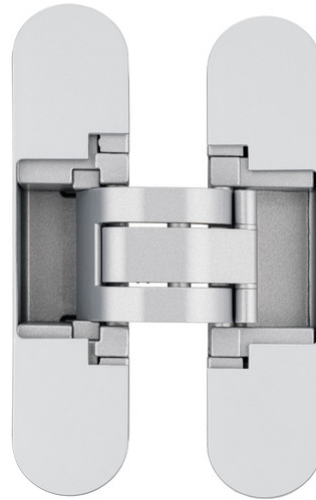


## ANSELMI - AN 192 3D

**AN 192 3D**

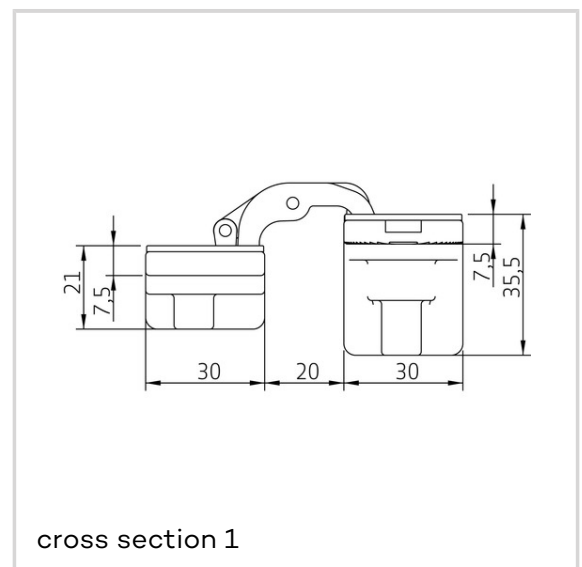
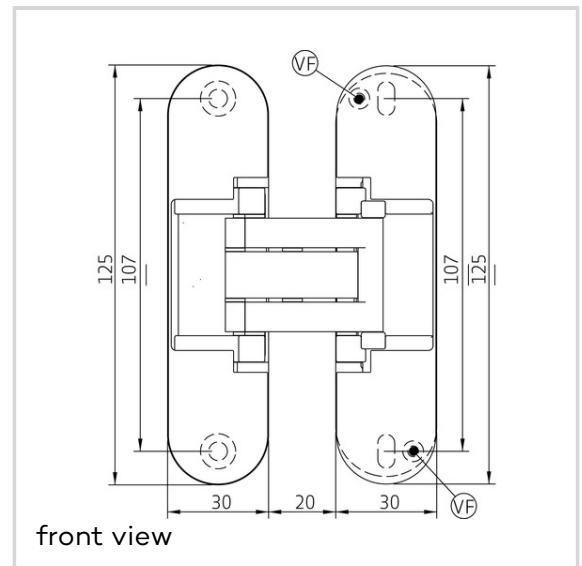
for unrebated 38-45 mm residential doors with 21 mm reduced hinge frame part up to 80 kg and claddings up to 4 mm

**Product features**

- reduced hinge frame part 21 mm
- door thickness from 38-45 mm
- possible installation of claddings up to 4 mm
- completely concealed hinge system
- for timber, steel or aluminium frames
- for unrebated residential doors
- 3D adjustment (side +/- 1,5 mm, height +/- 2,5 mm, compression + 1,0/- 0,5 mm)
- material zamak

**Technical data**

Property	Value
Load capacity	80,0 kg
Overall length	125,0 mm
Width (door part)	30,0 mm
Width (frame part)	30,0 mm
Cutter diameter	16,0 mm
Collar ring diameter	27,0 mm
Opening angle	180°



**ANSELMI - AN 192 3D****Notes**

The load capacity mentioned above refers to the use of 2 hinges per door leaf (900 x 2100 mm).

Suggested screws: Frame side: Countersunk head screws DIN 7505 A, Diameter 4,5 mm Door side: Pan head screws DIN 7505 B, Diameter 4,5 mm

If necessary, it is possible to lock the vertical adjustment of the hinge by means of a fixing screw (VF).

Alternatively, the routing can be carried out with a cutter diameter of 14,0 mm and a collar ring diameter of 25,0 mm.

**Installation tools**

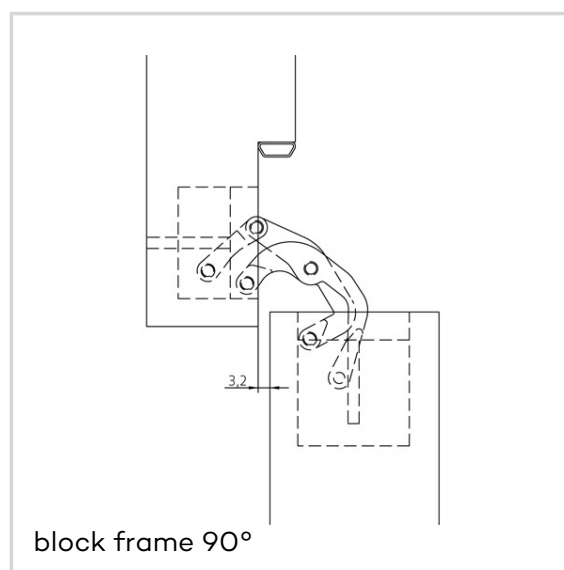
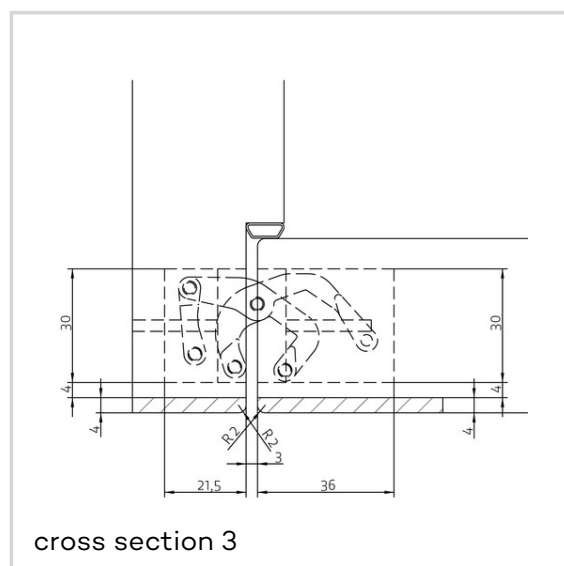
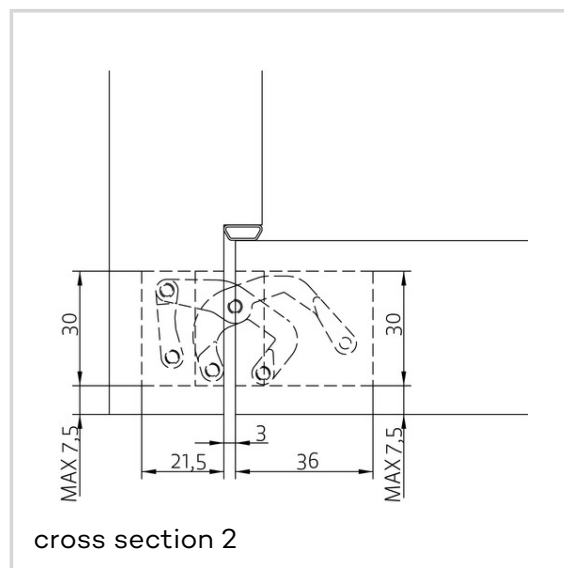
Template 5 251167 6

**Combinations**

AN 172 3D FZ  
AN 172 3D SZ

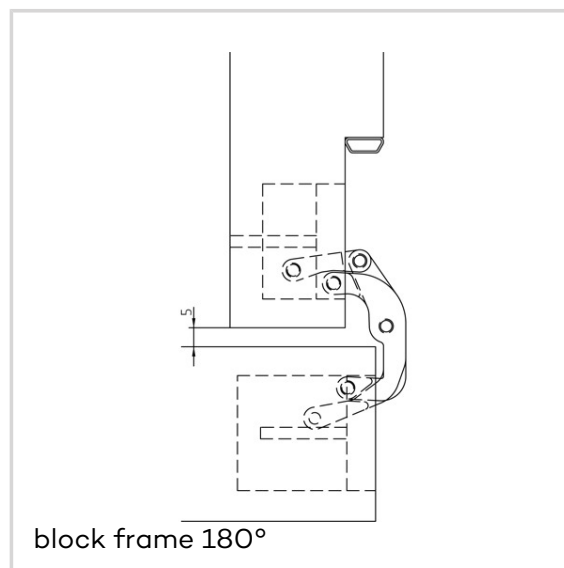
**Item versions**

Finish	Rustic Umber (AN 012)
VPE	pack of 2
DIN	DIN right and left hand
ITEM NO.	AN 192 3D (AN 012)
EAN	8059606385303
Finish	Satin Chrome (AN 014)
VPE	pack of 2
DIN	DIN right and left hand
ITEM NO.	AN 192 3D (AN 014)
EAN	8059606385310
Finish	Light Bronze (AN 016)
VPE	pack of 2



## ANSELMI - AN 192 3D

DIN ITEM NO. EAN	DIN right and left hand AN 192 3D (AN 016) 8059606385334
Finish VPE DIN ITEM NO. EAN	Black (AN 018) pack of 2 DIN right and left hand AN 192 3D (AN 018) 8059606385358
Finish VPE DIN ITEM NO. EAN	Antique Bronze (AN 035) pack of 2 DIN right and left hand AN 192 3D (AN 035) 8059606385365
Finish VPE DIN ITEM NO. EAN	Aluminium Chrome (AN 036) pack of 2 DIN right and left hand AN 192 3D (AN 036) 8059606385372
Finish VPE DIN ITEM NO. EAN	Polished Brass (AN 037) pack of 2 DIN right and left hand AN 192 3D (AN 037) 8059606385389
Finish VPE DIN ITEM NO. EAN	Polished Chrome (AN 039) pack of 2 DIN right and left hand AN 192 3D (AN 039) 8059606385396
Finish VPE DIN ITEM NO. EAN	Satin Nickel (AN 044) pack of 2 DIN right and left hand AN 192 3D (AN 044) 8059606385402
Finish	RAL 9016 Traffic White (AN 049)



**ANSELM I - AN 192 3D**

VPE	pack of 2
DIN	DIN right and left hand
ITEM NO.	AN 192 3D (AN 049)
EAN	8059606385419
Finish	Anthracite (AN 050)
VPE	pack of 2
DIN	DIN right and left hand
ITEM NO.	AN 192 3D (AN 050)
EAN	8059606385457
Finish	Medium Bronze (AN 051)
VPE	pack of 2
DIN	DIN right and left hand
ITEM NO.	AN 192 3D (AN 051)
EAN	8059606385464
Finish	Copper (AN 052)
VPE	pack of 2
DIN	DIN right and left hand
ITEM NO.	AN 192 3D (AN 052)
EAN	8059606385471