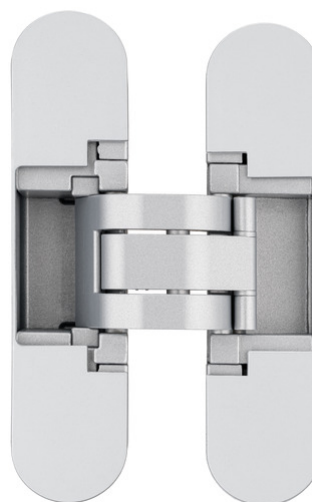


## AN 172 3D

for unrebated 38-45 mm residential doors with 21 mm reduced hinge frame part up to 60 kg and claddings up to 4 mm



### Product features

- reduced hinge frame part 21 mm
- door thickness from 38-45 mm
- possible installation of claddings up to 4 mm
- completely concealed hinge system
- for timber, steel or aluminium frames
- for unrebated residential doors
- 3D adjustment (side +/- 1,5 mm, height +/- 2,5 mm, compression + 1,0/- 0,5 mm)
- material zamak

### Technical data

Property	Value
Load capacity	60,0 kg
Overall length	125,0 mm
Width (door part)	30,0 mm
Width (frame part)	30,0 mm
Cutter diameter	16,0 mm
Collar ring diameter	27,0 mm
Opening angle	180°

### Quality marks



CE certification



IFT certification

### Classification code

EN 1935 / EAD

2	7	3	1 <sup>1</sup>	1	- <sup>2</sup>	0	10
---	---	---	----------------	---	----------------	---	----

<sup>1</sup> Test evidence for functional doors to be achieved with full door sets and assemblies.

<sup>2</sup> depending on the finish

**ANSELMI - AN 172 3D**

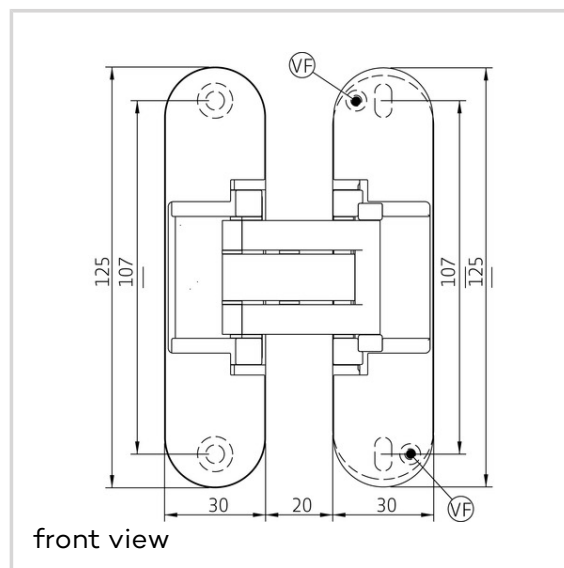
**Notes**

The load capacity mentioned above refers to the use of 2 hinges per door leaf (900 x 2100 mm).

Suggested screws: Frame side: Countersunk head screws DIN 7505 A, Diameter 4,5 mm Door side: Pan head screws DIN 7505 B, Diameter 4,5 mm

If necessary, it is possible to lock the vertical adjustment of the hinge by means of a fixing screw (VF).

Alternatively, the routing can be carried out with a cutter diameter of 14,0 mm and a collar ring diameter of 25,0 mm.

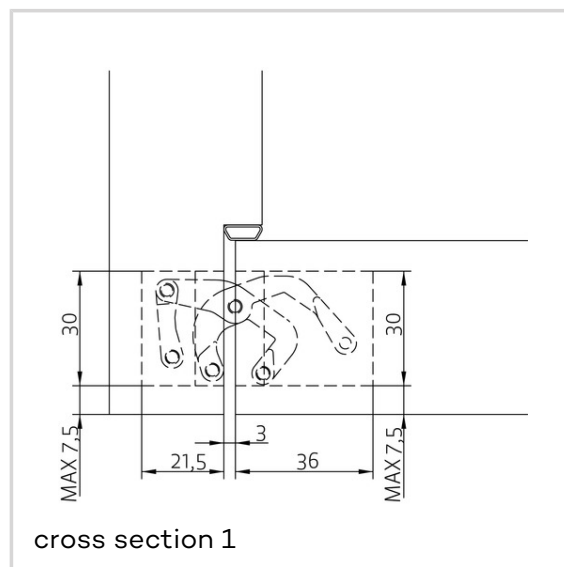


**Installation tools**

Universal milling frame  
Template 5 251167 6

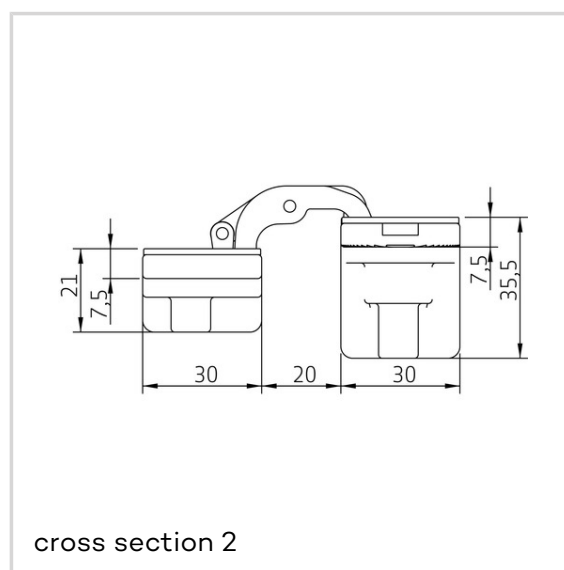
**Combinations**

AN 172 3D FZ  
AN 172 3D SZ



**Item versions**

Finish	Rustic Umber (AN 012)
VPE	pack of 2
DIN	DIN right and left hand
ITEM NO.	AN 172 3D (AN 012)
EAN	8054608708259
Finish	Satin Chrome (AN 014)
VPE	pack of 2
DIN	DIN right and left hand
ITEM NO.	AN 172 3D (AN 014)
ITEM NO. (SAP)	500004226
EAN	8054608708266



**ANSELMI - AN 172 3D**

Finish	Light Bronze (AN 016)
VPE	pack of 2
DIN	DIN right and left hand
ITEM NO.	AN 172 3D (AN 016)
EAN	8054608708280

Finish	Black (AN 018)
VPE	pack of 2
DIN	DIN right and left hand
ITEM NO.	AN 172 3D (AN 018)
ITEM NO. (SAP)	500004227
EAN	8054608708303

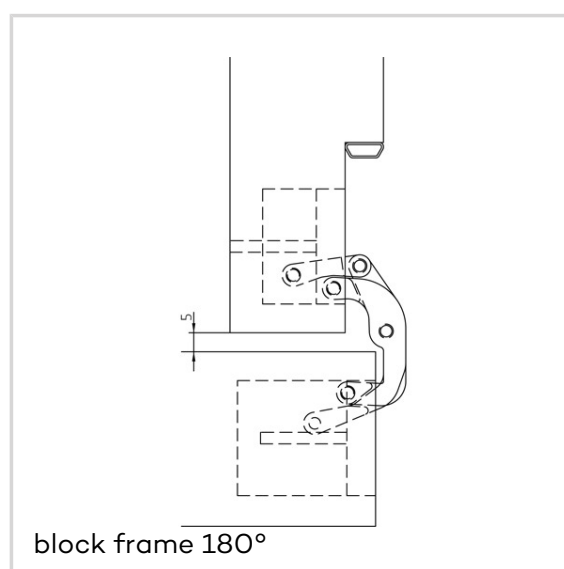
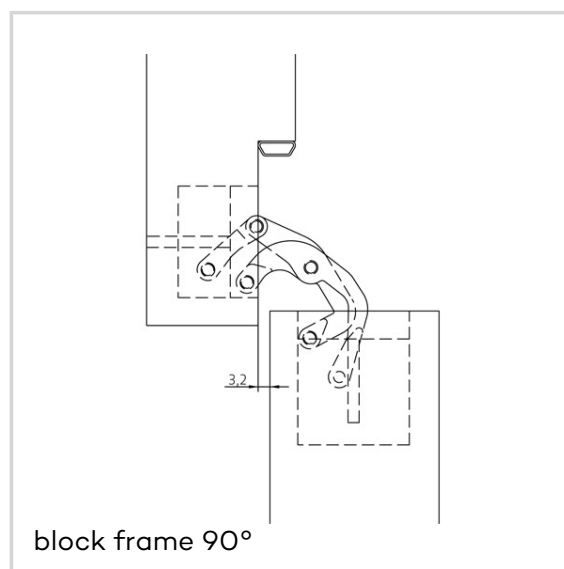
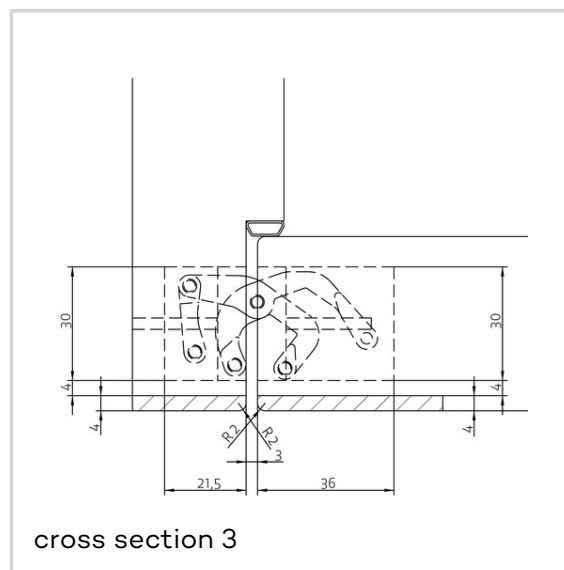
Finish	Antique Bronze (AN 035)
VPE	pack of 2
DIN	DIN right and left hand
ITEM NO.	AN 172 3D (AN 035)
EAN	8054608708310

Finish	Aluminium Chrome (AN 036)
VPE	pack of 2
DIN	DIN right and left hand
ITEM NO.	AN 172 3D (AN 036)
EAN	8054608708327

Finish	Polished Brass (AN 037)
VPE	pack of 2
DIN	DIN right and left hand
ITEM NO.	AN 172 3D (AN 037)
EAN	8054608708334

Finish	Polished Chrome (AN 039)
VPE	pack of 2
DIN	DIN right and left hand
ITEM NO.	AN 172 3D (AN 039)
EAN	8054608708341

Finish	Satin Nickel (AN 044)
VPE	pack of 2
DIN	DIN right and left hand
ITEM NO.	AN 172 3D (AN 044)



**ANSELMI - AN 172 3D**

EAN	8054608708358
Finish	RAL 9016 Traffic White (AN 049)
VPE	pack of 2
DIN	DIN right and left hand
ITEM NO.	AN 172 3D (AN 049)
EAN	8054608708365
Finish	Anthracite (AN 050)
VPE	pack of 2
DIN	DIN right and left hand
ITEM NO.	AN 172 3D (AN 050)
EAN	8054608709645
Finish	Medium Bronze (AN 051)
VPE	pack of 2
DIN	DIN right and left hand
ITEM NO.	AN 172 3D (AN 051)
EAN	8054608709652
Finish	Copper (AN 052)
VPE	pack of 2
DIN	DIN right and left hand
ITEM NO.	AN 172 3D (AN 052)
EAN	8054608709669