

## AN 142 3D

for unrebated residential doors with central installation up to 40 kg

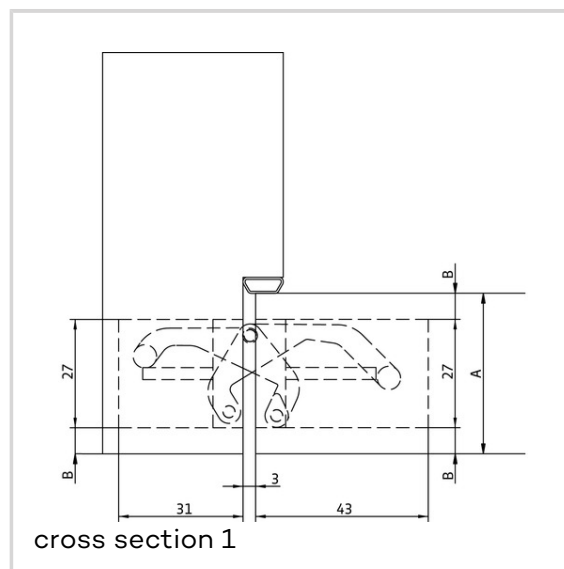
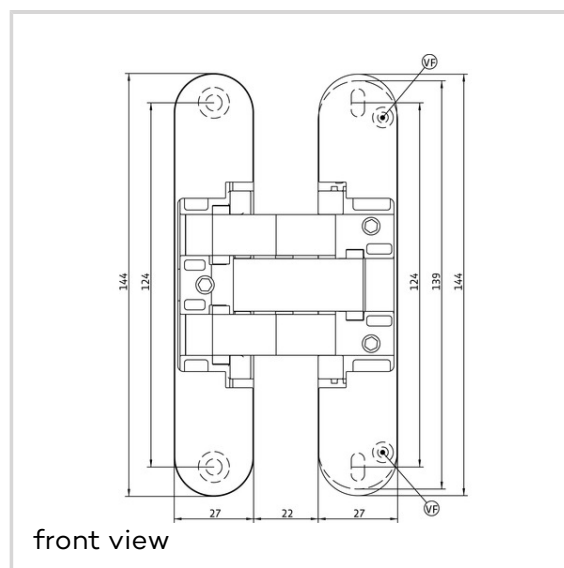


### Product features

- completely concealed hinge system
- for timber and aluminium frames
- for unrebated residential doors
- 3D adjustment (side +/- 1,5 mm, height +/- 2,5 mm, compression +/- 1,0 mm)
- central installation
- door thickness from 35-45 mm
- material zamak / acetal

### Technical data

Property	Value
Load capacity	40,0 kg
Overall length	144,0 mm
Width (door part)	27,0 mm
Width (frame part)	27,0 mm
Cutter diameter	16,0 mm
Collar ring diameter	27,0 mm
Opening angle	180°



**ANSELMI - AN 142 3D****Notes**

The load capacity mentioned above refers to the use of 2 hinges per door leaf (900 x 2100 mm).

Finishes shown on the model version AN 160 3D.  
Deviations possible with this model version.

Suggested screws: Frame side: Countersunk head screws DIN 7505 A, Diameter 4,5 mm  
Door side: Pan head screws DIN 7505 B, Diameter 4,5 mm

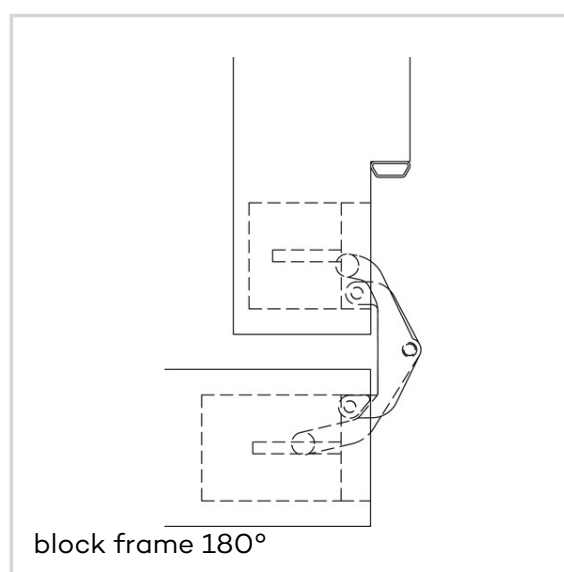
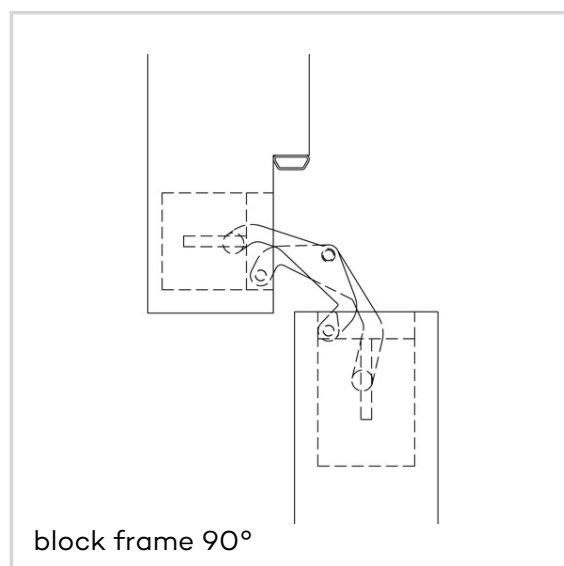
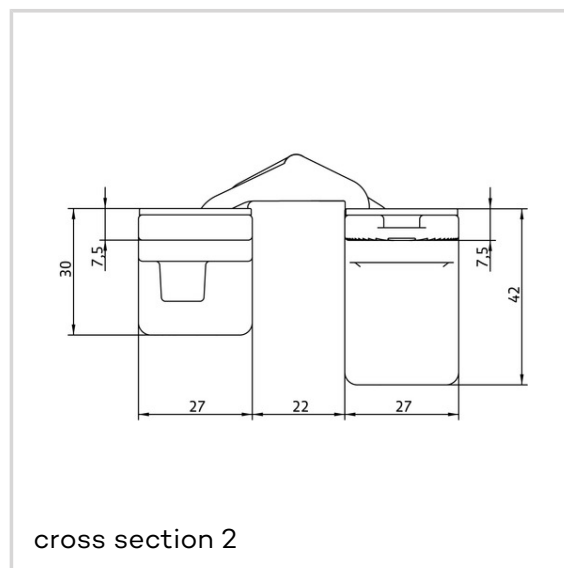
If necessary, it is possible to lock the vertical adjustment of the hinge by means of a fixing screw (VF).

The central installation applies for door thicknesses between 35 mm and 45 mm. The routing position (B) is always the difference between the door thickness (A) and the hinge width of 27 mm, divided by two.

Alternatively, the routing can be carried out with a cutter diameter of 14,0 mm and a collar ring diameter of 25,0 mm.

**Item versions**

Finish	Satin Chrome (AN 014)
VPE	pack of 2
DIN	DIN right and left hand
ITEM NO.	AN 142 3D (AN 014)
EAN	8054608701137
Finish	Black (AN 018)
VPE	pack of 2
DIN	DIN right and left hand
ITEM NO.	AN 142 3D (AN 018)
EAN	8054608701212
Finish	Antique Bronze (AN 035)
VPE	pack of 2
DIN	DIN right and left hand
ITEM NO.	AN 142 3D (AN 035)
EAN	8054608701229



**ANSELMI - AN 142 3D**

Finish	Aluminium Chrome (AN 036)
VPE	pack of 2
DIN	DIN right and left hand
ITEM NO.	AN 142 3D (AN 036)
EAN	8054608701175
Finish	Polished Brass (AN 037)
VPE	pack of 2
DIN	DIN right and left hand
ITEM NO.	AN 142 3D (AN 037)
EAN	8054608701182
Finish	Polished Chrome (AN 039)
VPE	pack of 2
DIN	DIN right and left hand
ITEM NO.	AN 142 3D (AN 039)
EAN	8054608701199
Finish	Satin Nickel (AN 044)
VPE	pack of 2
DIN	DIN right and left hand
ITEM NO.	AN 142 3D (AN 044)
EAN	8054608701151
Finish	RAL 9016 Traffic White (AN 049)
VPE	pack of 2
DIN	DIN right and left hand
ITEM NO.	AN 142 3D (AN 049)
EAN	8054608701168