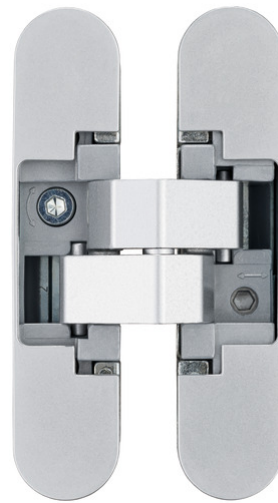


AN 140 3D

for unrebated residential doors up to 40 kg



Product features

- completely concealed hinge system
- for timber and aluminium frames
- for unrebated residential doors
- 3D adjustment (side +/- 1,5 mm, height +/- 2,5 mm, compression +/- 1,0 mm)
- material zamak / acetal

Technical data

Property	Value
Load capacity	40,0 kg
Overall length	110,0 mm
Width (door part)	24,0 mm
Width (frame part)	24,0 mm
Cutter diameter	16,0 mm
Collar ring diameter	27,0 mm
Opening angle	180°

Notes

The load capacity mentioned above refers to the use

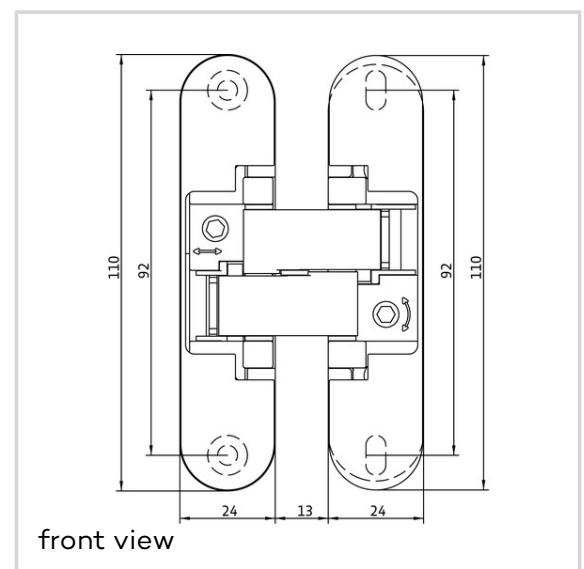
Quality marks



IFT certification



UL certification



ANSELMI - AN 140 3D

of 2 hinges per door leaf (900 x 2100 mm).

Finishes shown on the model version AN 160 3D.
Deviations possible with this model version.

Suggested screws: Frame side: Countersunk head screws DIN 7505 A, Diameter 4,5 mm Door side: Pan head screws DIN 7505 B, Diameter 4,5 mm

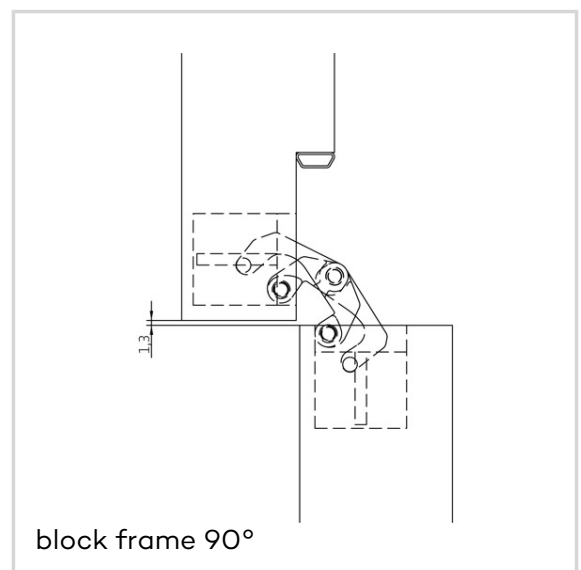
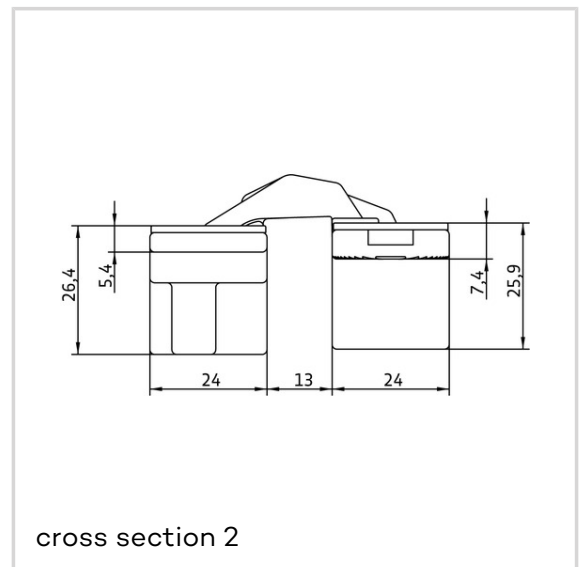
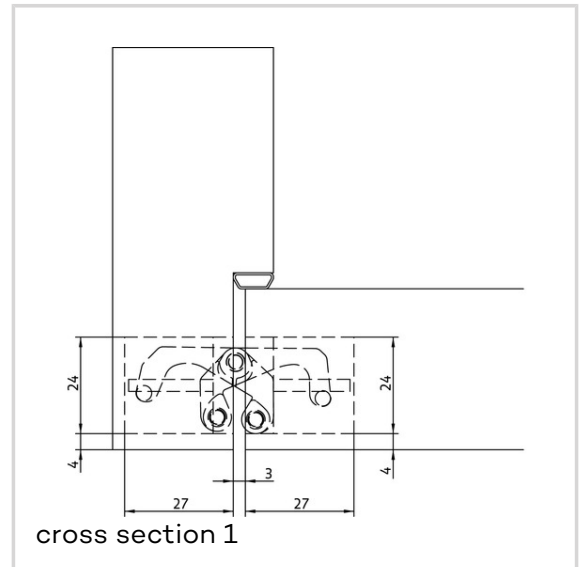
Alternatively, the routing can be carried out with a cutter diameter of 14,0 mm and a collar ring diameter of 25,0 mm.

Combinations

- AN 107 3D C40
- AN 108 3D SC45
- AN 140 3D FZ

Item versions

Finish	Satin Chrome (AN 014)
VPE	pack of 2
DIN	DIN right and left hand
ITEM NO.	AN 140 3D (AN 014)
ITEM NO. (SAP)	500004429
EAN	8054608708808
Finish	Black (AN 018)
VPE	pack of 2
DIN	DIN right and left hand
ITEM NO.	AN 140 3D (AN 018)
ITEM NO. (SAP)	500004430
EAN	8054608708846
Finish	Antique Bronze (AN 035)
VPE	pack of 2
DIN	DIN right and left hand
ITEM NO.	AN 140 3D (AN 035)
ITEM NO. (SAP)	500004431
EAN	8054608708853



ANSELMI - AN 140 3D

Finish	Aluminium Chrome (AN 036)
VPE	pack of 2
DIN	DIN right and left hand
ITEM NO.	AN 140 3D (AN 036)
ITEM NO. (SAP)	500004432
EAN	8054608708860
Finish	Polished Brass (AN 037)
VPE	pack of 2
DIN	DIN right and left hand
ITEM NO.	AN 140 3D (AN 037)
EAN	8054608708877
Finish	Polished Chrome (AN 039)
VPE	pack of 2
DIN	DIN right and left hand
ITEM NO.	AN 140 3D (AN 039)
EAN	8054608708884
Finish	Satin Nickel (AN 044)
VPE	pack of 2
DIN	DIN right and left hand
ITEM NO.	AN 140 3D (AN 044)
EAN	8059606384986
Finish	RAL 9016 Traffic White (AN 049)
VPE	pack of 2
DIN	DIN right and left hand
ITEM NO.	AN 140 3D (AN 049)
ITEM NO. (SAP)	500004433
EAN	8054608708907

