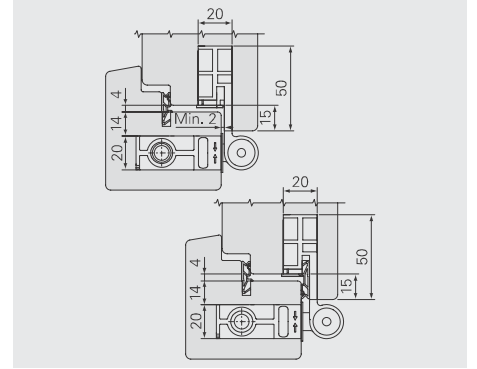
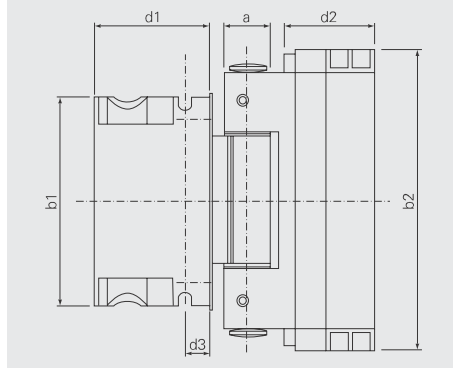
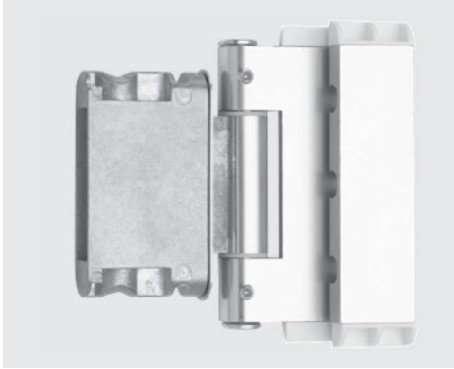


Easy 3D Ø 20



Application: Easy 3D Ø 20-000-Adjustable hinge - rebate 15mm air gap 4mm

For timber doors

Load capacity with 2 hinges 160 kg

Adjustable +3/-2 mm in height, +/-3 mm horizontal and +/-2 gasket pressure

For rebate 15 mm available milling cover cap



Technical information

a	b1	b2	d1	d2	d3
20.0	90.0	130.0	50.0	50.0	10.5

Range

Product	Packaging	Material	Surface	Corrosion resistance	Art. No
E3DS020ABS	3	Steel / Aluminium	Powder coated White	5	1353012
E3DS020AKC			Light Bronzed		1353016
E3DS020ACA			Matt Chrome		1351253
E3DS020ASX			Brushed Stainless Steel Effect		1353021
E3DS020APM			Brown RAL 8017		1353018
E3DS020AMPN			Black RAL 9005 Matt		1353019
E3DS020APXW			Powder coated Light Stainless Steel Effect		1353020
E3DS020AEL			Brassed	3	1353015
E3DS020ANO			Matt Nickel	2	1353017

Jigs/Accessories

Product	Page	Product	Page
Jigs	231	Milling cover cap	224
Milling cutter	231		